

10W LED Flood Light

FLB-CW/10W



DURABLE

Extremely durable, can withstand vibration and jarring.



INSTANT START UP

These lights start up at once, without any flickering.



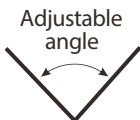
ECONOMIC

Uses approximately 20% power of a conventional floodlight. 50,000 hour lifespan.



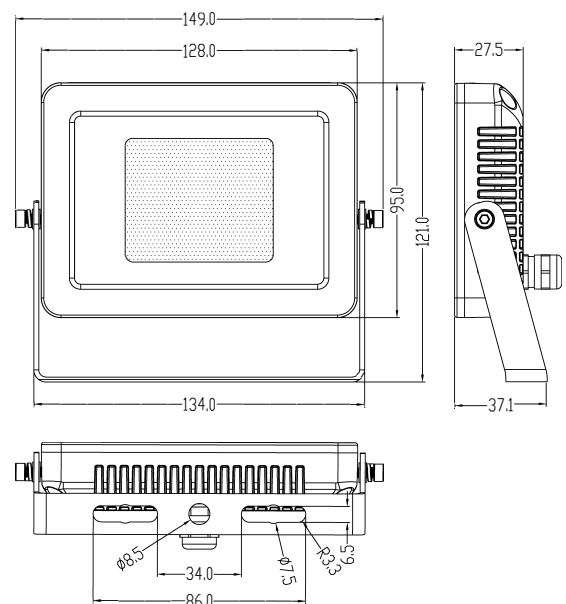
IMMEDIATE RESTART

These lights can be restarted immediately after being switched on.



SPECIFICATIONS

Power	10W
Input Voltage	220-240V AC 50/60Hz
Driver	Housed internally - Meanwell Driver with Surge Protection
LED Chips	Epistar™ (Made in Taiwan)
Colour Temperature	5000K (CRI - 70)
Lumens	900 lm
Beam Angle	90°
Life Span	50,000 hours
Fixture Material	Aluminium Alloy
Frame Colour	Grey
IP Rating	IP66
Reflector Type	Toughened Glass
Connections	Flex & plug supplied (1.4m)



SS10216