



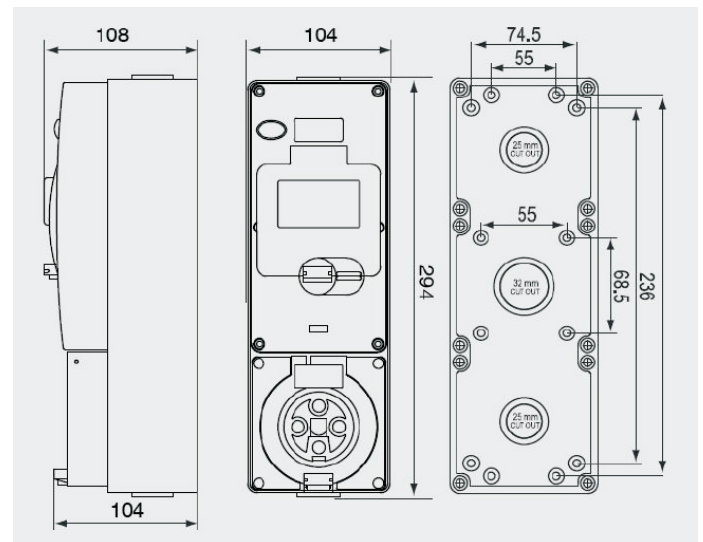
Specifications:

Cover Material:	Polycarbonate
Safety type:	RCD protected
Residual current I _{rn} :	30mA
IP rating:	IP66
Optimum Operating temperature:	-25 to +50C
UV Resistant:	yes
Chemical resistant:	Low - Not suitable for environments with chemicals/ oils
Cable entry in enclosure:	25mm x 2 and 32mm x 1
Terminal size for cable:	25mm ²
Appropriate entry reducers included	

Compliance:

IEC/EN61009-1

Dimensions:



Reference	Volts	Amp	Pin No	Socket Conf.	RCD Current Rating
C66SC310RC	250	10	3		25A
C66SC315RC	250	15	3		25A
C66SC410RC	500	10	4		25A
C66SC420RC	500	20	4		25A
C66SC432RC	500	32	4		40A
C66SC510RC	500	10	5		25A
C66SC520RC	500	20	5		25A
C66SC532RC	500	32	5		40A
C66SC540RC	500	40	5		63A

