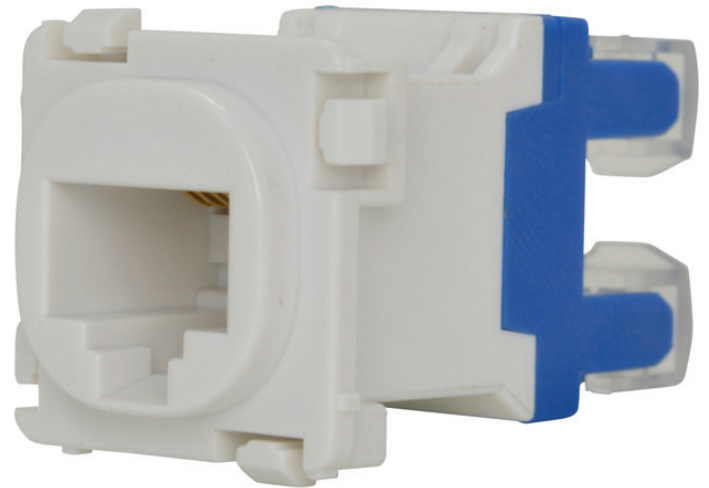


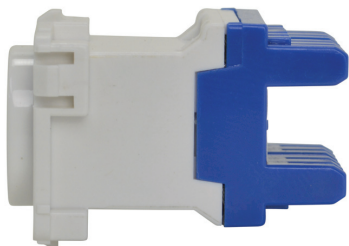
## Data RJ45 Sockets

C5RJ45 & C6RJ45

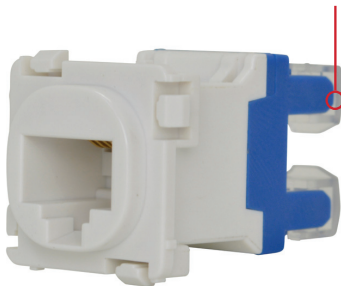
Voltex data sockets fit all Australian Standard wall plates. They can be inserted and easily removed for re-use thanks to flexible locking tabs. Comes with a clear wire retaining cap, and is colour coded at the back for T568A and T568B standards.



*Tested to AS/CA S008:2010+A1:2014*



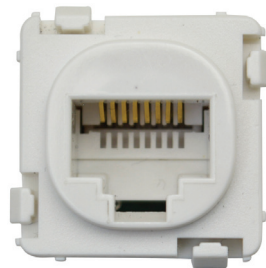
Clear wire retaining caps supplied



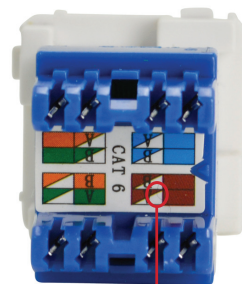
Also available in Black  
[C6RJ45B & C5RJ45B]

### SPECIFICATIONS

Dimensions	23mm[w] x 23mm[h] x 55mm[d]
Current Rating	1.5A maximum
Insulation Diameter [Wire]	0.70 - 1.60mm
Temperature Range	-40°C to +70°C
Durability	750 insertion cycles minimum



Cat 6 - C6RJ45



Cat 5 - C5RJ45



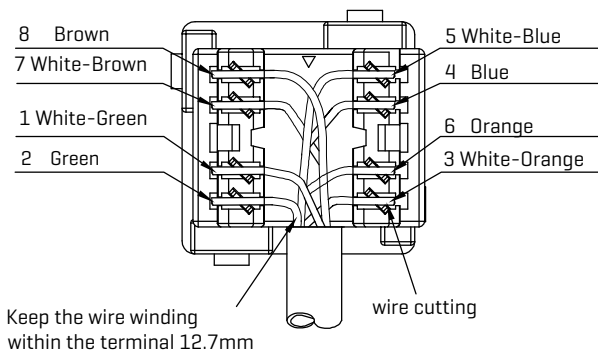
Universal Colour coded

## Data RJ45 Sockets

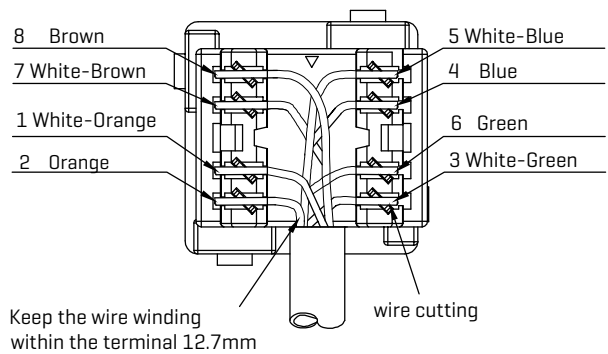
### Wiring Diagrams

### Category 5e Data Mech Wiring - C5RJ45

T568A connection mode

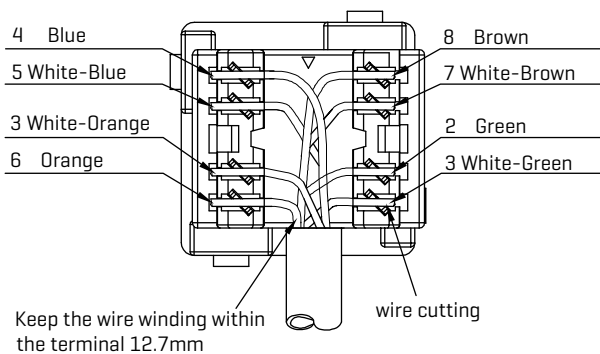


T568B connection mode



### Category 6 Data Mech Wiring - C6RJ45

T568A Connection Mode



T568B connection mode

