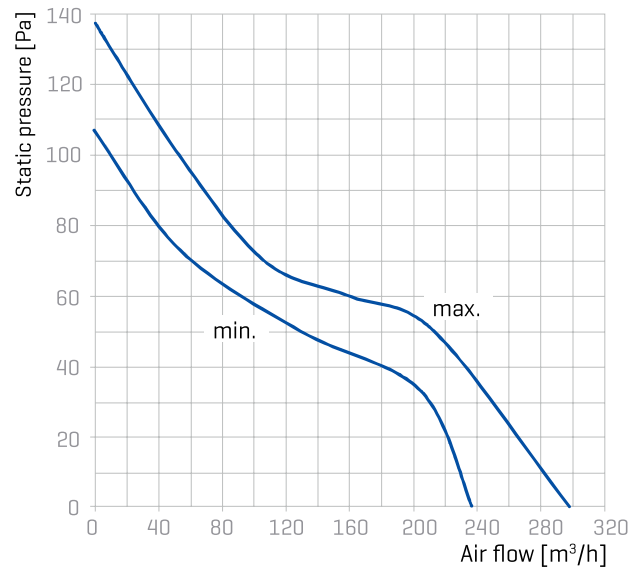




**Technical Specifications:**

Speed	Min	Max
Voltage [V]	240	240
Frequency [HZ]	50/60	50/60
Power [W]	23	37
Current [A]	0.18	0.27
Maximum air flow [m <sup>3</sup> /h[l/s]]	220 [61]	280 [78]
RPM[ $\text{min}^{-1}$ ]	1950	2455
Sound pressure level at 3m[dBA]	34	39
Max transported air temperature [°C]	+60	
IP rating	IPX4	

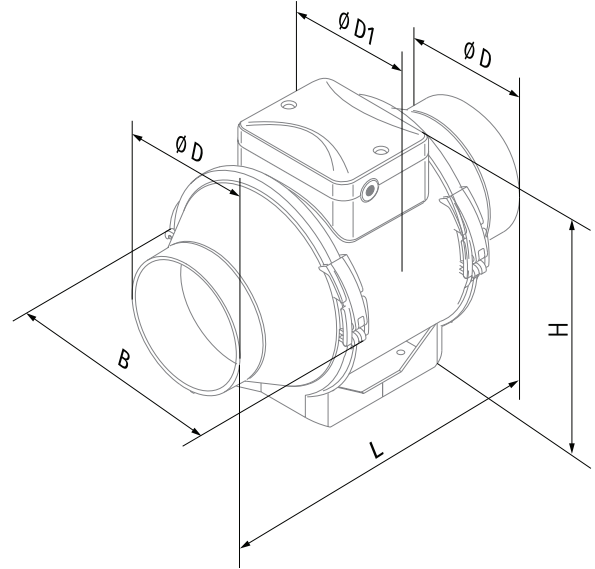
**Performance Curves:**



Sound power level, A-weighted	Total	Octave frequency bands [Hz]								LpA 3 m	LpA 1 m
		63	125	250	500	1000	2000	4000	8000		
<b>Min speed</b>											
LwA to inlet [dBA]	54	26	38	52	50	44	38	27	17	34	44
LwA to outlet [dBA]	54	25	37	51	49	43	38	28	18	33	43
LwA to env. [dBA]	49	21	32	46	45	40	35	25	16	29	39
<b>Max speed</b>											
LwA to inlet [dBA]	60	20	31	57	51	51	50	39	27	39	49
LwA to outlet [dBA]	59	20	31	56	51	51	49	39	26	38	48
LwA to env. [dBA]	54	16	27	51	46	47	45	36	24	34	44

**Dimensions**

Model	Ø D	Ø D1	B	H	L	Weight[kg]
MF100	96	164	167	190	246	1.45
MF125	123	164	167	190	246	1.79
MF150	148	187	220	251	289	3.18
MF200	199	209	239	261	295.5	3.8



**Compliance:**

AS/NZS 60335.2.80  
 AS/NZS 60335.1

