

**Specifications:**

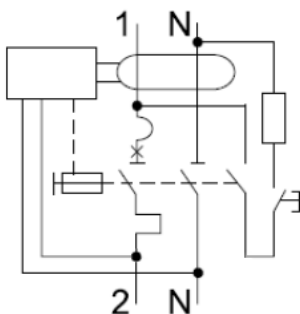
Rated current :	6A, 10A, 16A, 20A, 25A, 32A
Rated voltage:	230/240 VAC
Rated frequency:	50/60 Hz
Number of poles:	1P+N [Switches A+N]
Module size:	18mm
RCD Type:	Type A
Curve type:	C-Curve
Breaking capacity:	6000A
Rated residual operating current:	30mA
Optimum operating temperature:	-5°C to 40°C
Terminal Tightening torque:	1.2 N/m
Terminal Capacity [top]:	10mm <sup>2</sup> [with Busbar] 16mm <sup>2</sup> [without Busbar]*
Terminal Capacity [bottom]:	10mm <sup>2</sup> [with Busbar] 16mm <sup>2</sup> [without Busbar]*
Electro-mechanical endurance:	4000
Mounting:	35mm Din Rail
Compatible Busbar:	BUS-AV6-8M, BUS-AV6-14M
Top and bottom, line and load compatible for easy fast 'either-way-up' installations.	

\*Use VBT Busbar Terminal for larger cable

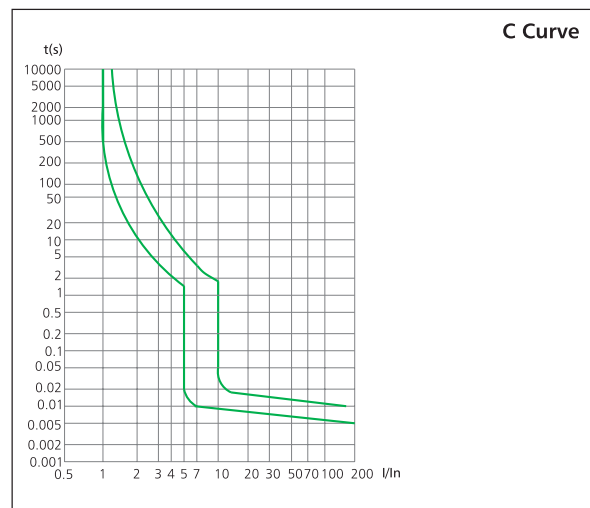
**Compliance**

AS/NZS 61009.1:2015

**Wiring Diagram**



**The tripping characteristic curves**



**Dimensions: [mm]**

