



WS1-16

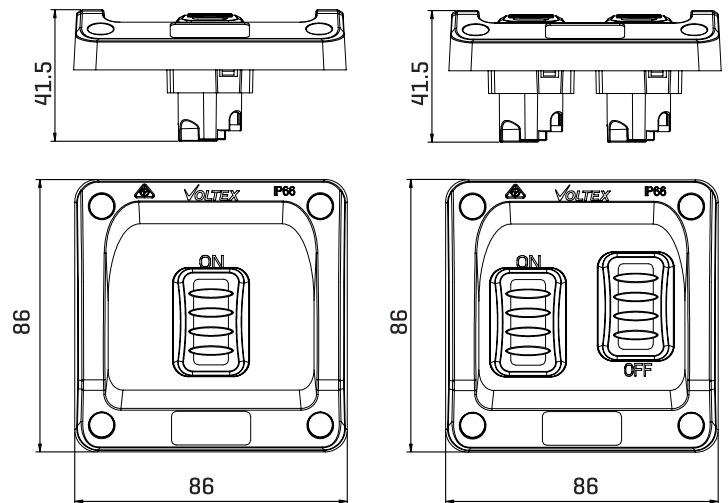


WS2-16

Technical Specifications:

Current Rating	16AX
Poles	Single
IP Rating	IP66
Power	250V AC 50Hz
Switching	1-way / 2-way
Motor Rating	M80
Terminals	Accomodate 4x1.5 square mm or 2 x 2.5 square mm cables.
Terminal Bore	4.1mm ø

Dimensions:



Compliance:

AS/NZS 3133
 AS/NZS 3100 Inc A1-2

