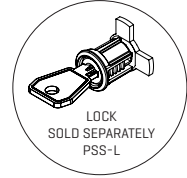
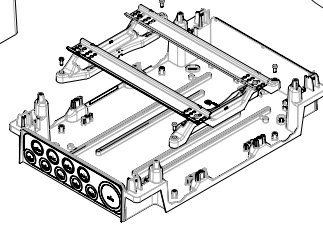
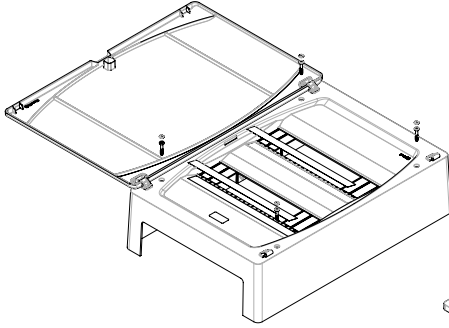
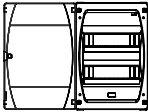






VOLTEX® INSTRUCTION GUIDE

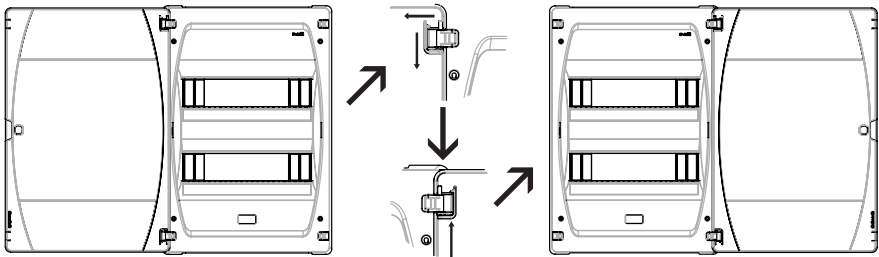
Surface Mount Switchboard IP40 PSS12, PSS18, PSS24, PSS36



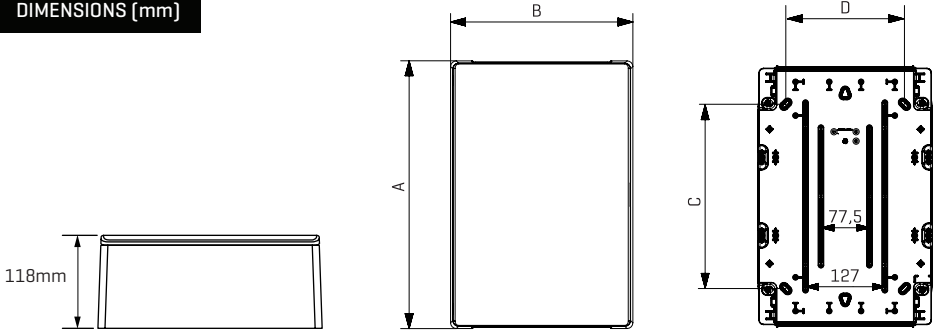
ITEMS INCLUDED

| PRODUCT |  |  |  |  |  |
|---------|---|---|---|---|--|
| PSS12 | 1 | 1 | 1 | 1 | 1 |
| PSS18 | 1 | 1 | 1 | 1 | 1 |
| PSS24 | 1 | 1 | 2 | 2 | 1 |
| PSS36 | 1 | 1 | 3 | 2 | 1 |

CHANGING DOOR ORIENTATION

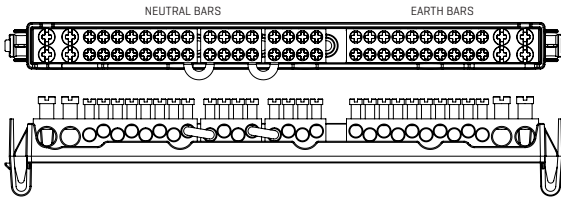


DIMENSIONS [mm]



| Model | A [mm] | B [mm] | C [mm] | D [mm] |
|-------|--------|--------|--------|--------|
| PSS12 | 250 | 284 | 130 | 190 |
| PSS18 | 254 | 392 | 130 | 296 |
| PSS24 | 418 | 284 | 296 | 190 |
| PSS36 | 544 | 284 | 420 | 190 |

TECHNICAL SPECIFICATION



| PRODUCT | SUPPLIED NEUTRAL BARS | SUPPLIED EARTH BARS |
|---------|--|---|
| PSS12 | $[2 \times \{35\text{mm}^2\} + 8 \times \{16\text{mm}^2\}] + 2 \times \{4 \times \{16\text{mm}^2\}\}$ | $2 \times \{35\text{mm}^2\} + 10 \times \{16\text{mm}^2\}$ |
| PSS18 | $[2 \times \{35\text{mm}^2\} + 8 \times \{16\text{mm}^2\}] + 3 \times \{4 \times \{16\text{mm}^2\}\}$ | $2 \times \{35\text{mm}^2\} + 16 \times \{16\text{mm}^2\}$ |
| PSS24 | $2 \times [[2 \times \{35\text{mm}^2\} + 8 \times \{16\text{mm}^2\}] + 2 \times \{4 \times \{16\text{mm}^2\}\}]$ | $2 \times [2 \times \{35\text{mm}^2\} + 10 \times \{16\text{mm}^2\}]$ |
| PSS36 | $2 \times [[2 \times \{35\text{mm}^2\} + 8 \times \{16\text{mm}^2\}] + 3 \times \{4 \times \{16\text{mm}^2\}\}]$ | $2 \times [2 \times \{35\text{mm}^2\} + 16 \times \{16\text{mm}^2\}]$ |

Rated Current of Earth and Neutral Bars = 125A