

Specifications:

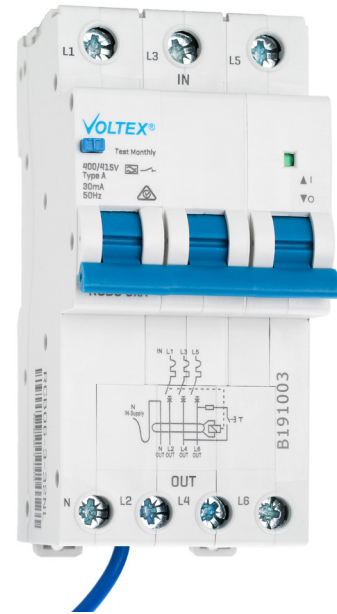
Width :	53mm [3 standard modules]
Rated current:	6A, 10A, 16A, 20A, 25A, 32A, 40A, 50A, 63A
Rated Voltage [Un]:	400/415VAC
Rated frequency:	50/60 Hz
Number of poles:	3P+N
Poles Switched:	Active only
Curve type:	C-Type
Type:	A Type
Breaking capacity:	6000A
Rated residual operating current:	30mA
Dielectric strength:	2500V
Cable termination:	25mm ²
Terminal Tightening Torque:	2.5Nm
IP Degree:	IP20
Mounting:	35mm Din Rail
Length of Neutral Lead:	900mm
Suitable Busbar:	BUS-1P-18M, 131505, BUS-3P-6M
Dimensionally similar to:	NHP Concept Schneider IPD Eureka

Note: All brand names are registered trademarks of their respective owners and for reference only

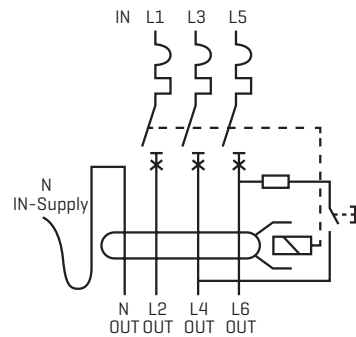
The Lever ON/ OFF orientation might be opposite to some other leading brands.

Compliance

AS/NZS 61009.1
 ESV Compliance: Exempt [RCBO over 110mm length]



Wiring Diagram



Will operate and is suitable for 4 wire motor circuits without the load neutral

Dimensions: [mm]

