

Voltex Electrical

Australia
 www.voltexelectrical.com.au
 P:1300 722 275 E:sales@voltex.com

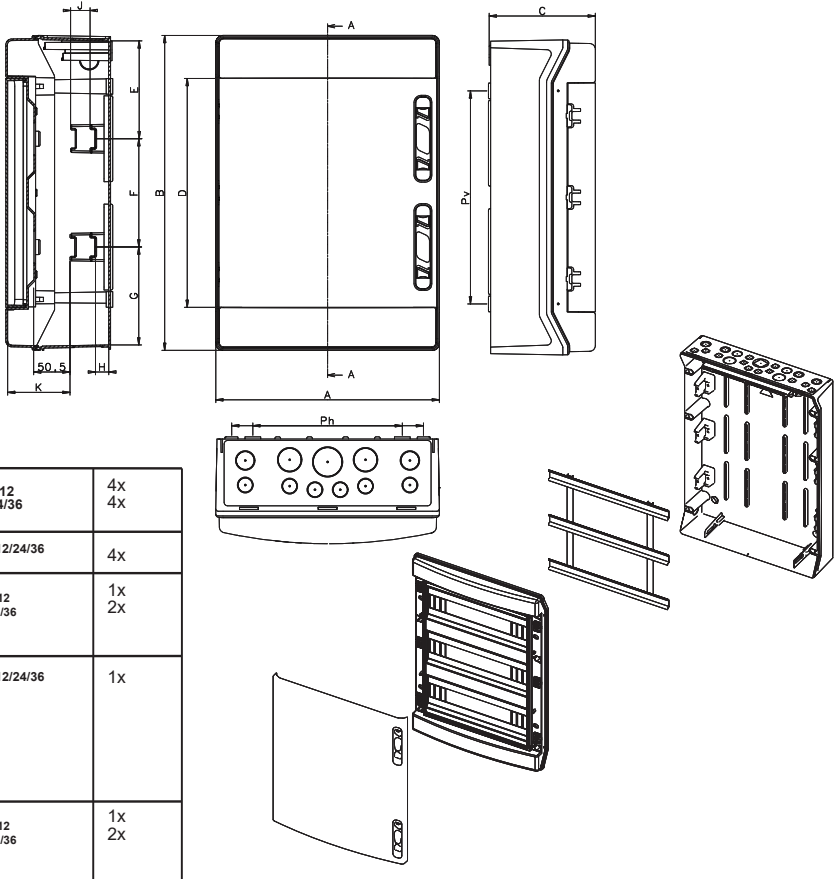
New Zealand
 www.voltexelectrical.co.nz
 P:0800 55 66 33 E:sales@voltex.com



ELECTRICAL ACCESSORIES

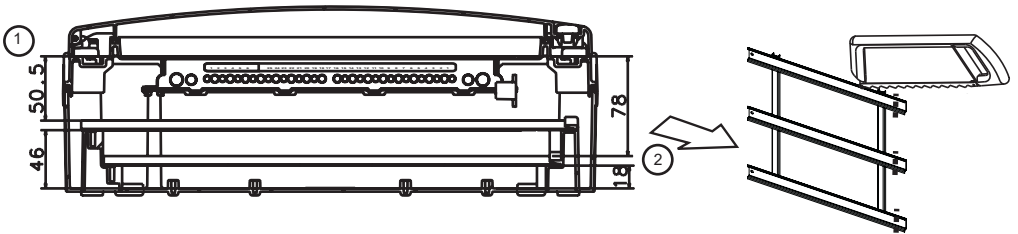
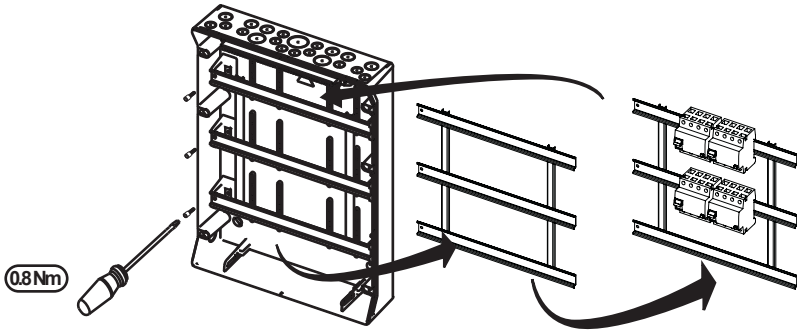
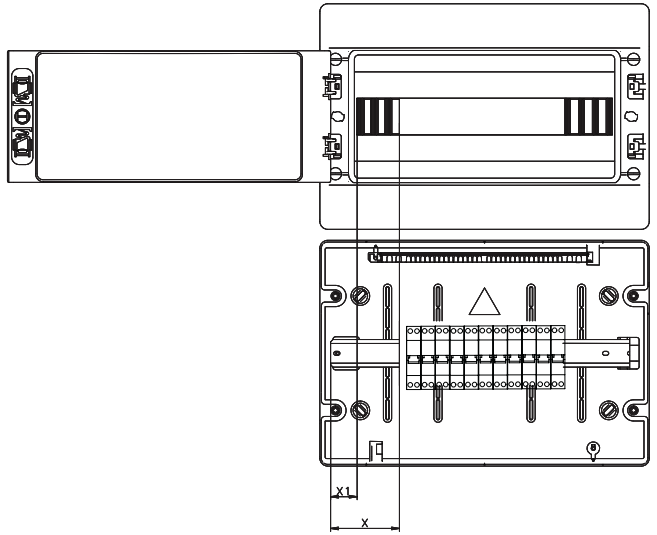
© Voltex Electrical. All Rights Reserved.

	Ac<1.000V			In<80A			Cc<1.500V			Fr<100Hz		
mm	A	B	C	D	E	F	G	H	J	K	Ph	Pv
WSBS6	202	231	113	150	115<	-	100<	16	-	78-82	97-162	121
WSBS8	238		118				100<			81-86		
WSBS12	310	246	148	167	135<	150	115<	18	28	76-87	207-270	145
WSBS18	418	286		135<			135<				207-270	
WSBS24	310	436		317			150				207-270	
WSBS36	418		317	150	315-378							



	WSBS 6/12 WSBS-24/36	4x 4x
	WSBS 6/12/24/36	4x
	WSBS 6/12 WSBS 24/36	1x 2x
	WSBS 6/12/24/36	1x
	WSBS 6/12 WSBS 24/36	1x 2x

	X (mm)	X1 (mm)
WSBS6	41.5	23
WSBS8	47.5	30
WSBS12	70.5	34
WSBS18	86	32
WSBS24	70.5	34
WSBS36	86	32



	N (mm ²)	PE (mm ²)
WSBS6	4x(2.5-6mm ²)+3x(4-10mm ²)+	4x(2.5-6mm ²)+3x(4-10mm ²)+
WSBS8	1x(10-25mm ²)+1 fork link	1x(10-25mm ²)
WSBS12	7x(2.5-6mm ²)+7x(4-10mm ²)+	6x(2.5-6mm ²)+6x(4-10mm ²)+
	2x(10-25mm ²)+2 fork link	2x(10-25mm ²)
WSBS18	10x(2.5-6mm ²)+10x(4-10mm ²)+	12x(2.5-6mm ²)+12x(4-10mm ²)+
	2x(10-25mm ²)+2 fork link	
WSBS24	15x(2.5-6mm ²)+12x(4-10mm ²)+	
	2x(10-25mm ²)+2 fork link	2x(10-25mm ²)
WSBS36	18x(2.5-6mm ²)+15x(4-10mm ²)+	
	2x(10-25mm ²)+2 fork link	

