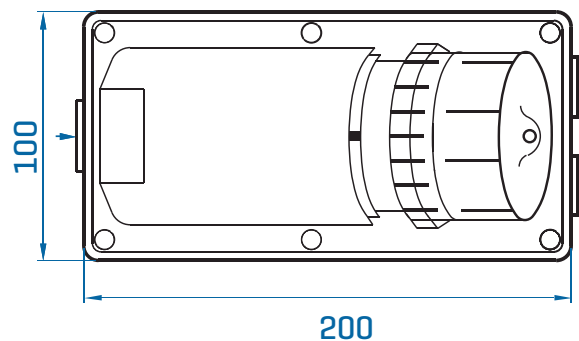
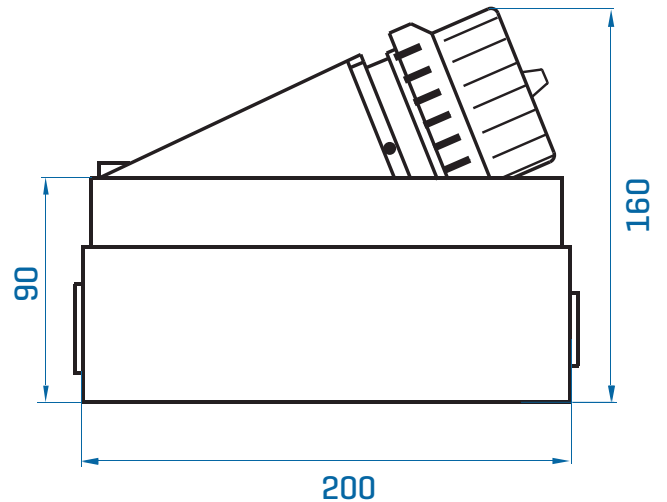




APPLIANCE INLETS

Reference	Volts	Amp	Pin No
C66AI320	250	20	3
C66AI332	250	32	3
C66AI410	500	10	4
C66AI420	500	20	4
C66AI432	500	32	4
C66AI440	500	40	4
C66AI450	500	50	4
C66AI510	500	10	5
C66AI520	500	20	5
C66AI532	500	32	5
C66AI540	500	40	5
C66AI550	500	50	5

Dimensions



Compliance

AS/NZS 3123:2005

