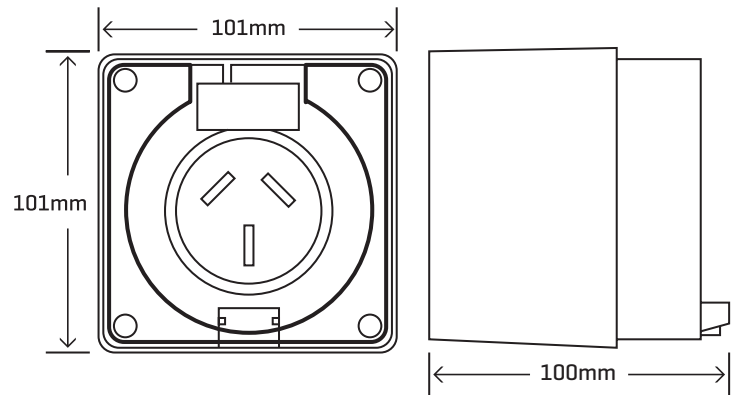




Technical Specifications:

Voltage:	250V AC
Amp:	10A, 15A
Pin No:	Receives 3 Flat Pins
IP Rating:	66
Body Material:	Polycarbonate
Enclosure:	Standard - 63mm external depth

Dimensions:



Compliance:

AS/NZS 3120 Inc A1
 AS/NZS 3100 Inc A1-3

