



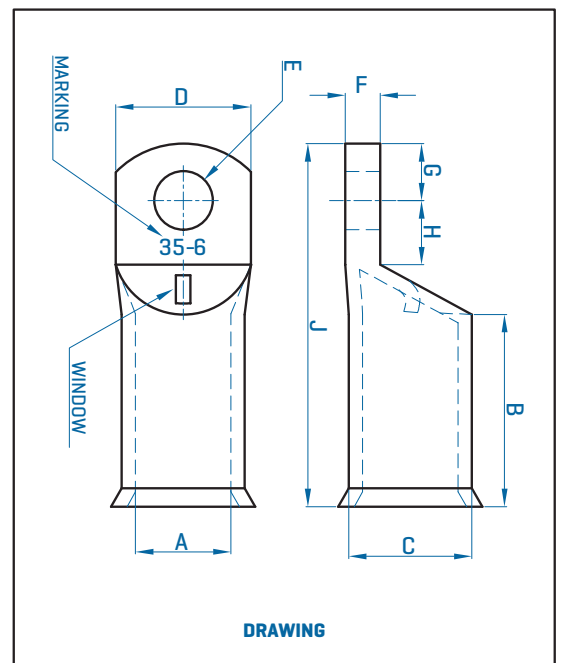
CLMCB

Technical Specifications:

Material	Oxygen Free High Conductivity Copper
Finish	Electroplated Tin Fully Annealed
Temperature Range	-55°C To +155°C
Entry	Bell Mouth

Compliance:

AS/NZS 4325:1
 EN 60998-1



Dimensions:

VOLTEX CODE	Cable mm ²	DIMENSIONS mm							
		Stud Size	Barrel ID	Barrel OD	Palm Width	Barrel Length	Stud Distance from Barrel	Stud Distance from Top	Total Length
		E	A	C	D	B	H	G	J
CLMCB-35	35	6.2	8.2	11.2	15.0	21	8	7	41
CLMCB-50-6	50	6.2	9.5	12.8	15	22	8	7	43
CLMCB-50-8	50	6.2	9.5	12.8	15	22	8	7	43
CLMCB-50-10	50	10.2	9.5	12.8	19	22	12	9	49
CLMCB-70-6	70	6.2	11.2	14.3	17	24	8.5	6.5	45
CLMCB-70-10	70	10.2	11.2	14.3	19	24	12	9	51
CLMCB-95-8	95	8.2	13.5	17.4	19	27	9	8	51
CLMCB-95-10	95	10.5	13.5	17.4	19	27	12	9	55
CLMCB-120-8	120	8.5	15.6	20.6	19	30	12	11	61
CLMCB-120-10	120	10.2	15.6	20.6	19	30	12	11	61
CLMCB-150-8	150	8.2	16.7	22.5	19	30	15	12	66
CLMCB-150-10	150	10.2	16.7	22.5	19	30	15	12	66
CLMCB-185-10	185	10.5	18.4	24.2	24.5	32	17.5	14.5	74
CLMCB-240-10	240	10.2	21.2	28.2	31	38	18.5	13.5	82
CLMCB-240-12	240	13	21.2	28.2	31	38	18.5	13.5	82
CLMCB-300-10	300	10.5	23.5	31.3	31	42	20	12	87
CLMCB-300-12	300	13	23.5	31.3	31	42	20	12	87