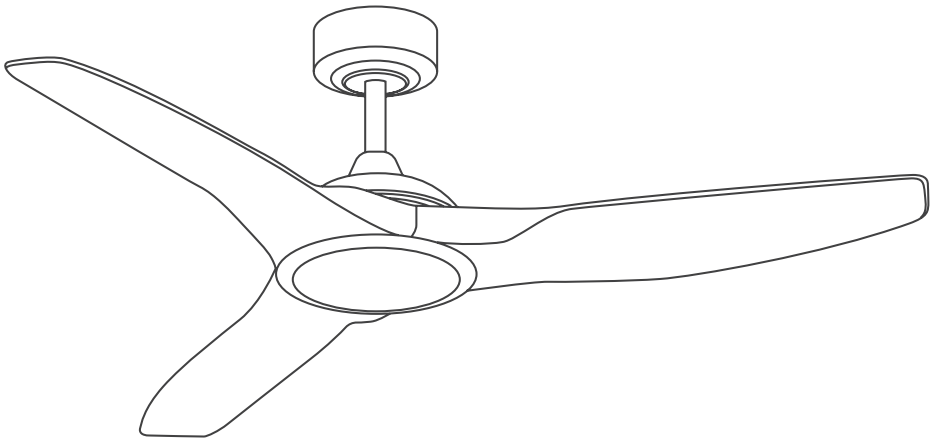




CEILING FAN INSTALLATION INSTRUCTIONS

CFWL, CFBL, CFW, CFB
CFWL48, CFBL48, CFW48, CFB48



BUSINESS NAME:

CONTACT:

INSTALLATION DATE:



CEILING FAN INSTALLATION INSTRUCTIONS



IMPORTANT INSTALLATION, USER & WARRANTY INSTRUCTIONS

- Please read these instructions carefully before installing and using the appliance. Keep the instructions handy for future reference.
- Before installing the ceiling fan, disconnect the power supply.
- **IMPORTANT:** This appliance does not come with a cord or a plug. It must be installed in accordance with national and local council building regulations, and the Australian and New Zealand wiring rules AS/NZS 3000 latest edition thereof.
- **ALL ELECTRICAL WORK MUST BE CARRIED OUT BY A LICENSED ELECTRICAL CONTRACTOR OR ELECTRICIAN.**
- **AFTER INSTALLATION, DISCONNECTION OF THE APPLIANCE FROM THE SUPPLY SHALL BE POSSIBLE. AN ALL-POLE DISCONNECTION MUST BE INCORPORATED INTO THE FIXED WIRING IN ACCORDANCE WITH THE WIRING RULES.**
- **THE MOUNTING OF THE SUSPENSION SYSTEM SHALL BE PERFORMED BY SUITABLY QUALIFIED PERSONS ONLY.**
- This ceiling fan has been designed to operate on a nominal supply voltage of 230-240V a.c. 50Hz and in ambient temperatures between 5°C to 40°C.
- The weight of the ceiling fan is 7.7kg.
- The hanger bracket must be securely attached to a structural member such as a ceiling joist for support with sufficient strength to withstand 4 times the weight of the ceiling fan [45 kg recommended].
- The ceiling fan must be installed so that the blades are at least 2.1 m above the floor and 300 mm from the tip of the blade to the nearest object or walls. Make sure the installation site you choose allows the fan blades to rotate without any obstructions.
- The ceiling fan is suitable for pitched ceilings with a maximum angle of 15°
- This ceiling fan is designed for indoor and alfresco areas only. When installed in an alfresco area, the ceiling fan must be positioned in a location protected from water, salt spray, mist, wind and/or dust. **Exposure to these elements will void the warranty. Mounting the fan in a situation where it is subject to water or moisture is dangerous and may increase the risk of damage, injury or electrical shock.**
- Extended exposure to UV rays [such as exposure to direct sunlight] may cause discolouration of this ceiling fan.
- The appliance must be properly connected to the protective earthing conductor in the installation wiring of the installation.
- Ensure that the ceiling fan has been correctly installed and tested for safe operation before reconnecting the power supply.

GENERAL SAFETY WARNINGS

1. This appliance is not intended for use by persons [including children] with reduced physical, sensory, or mental capabilities, or lack of experience and knowledge, unless they have been given supervision or instruction concerning use of the appliance by a person responsible for their safety.

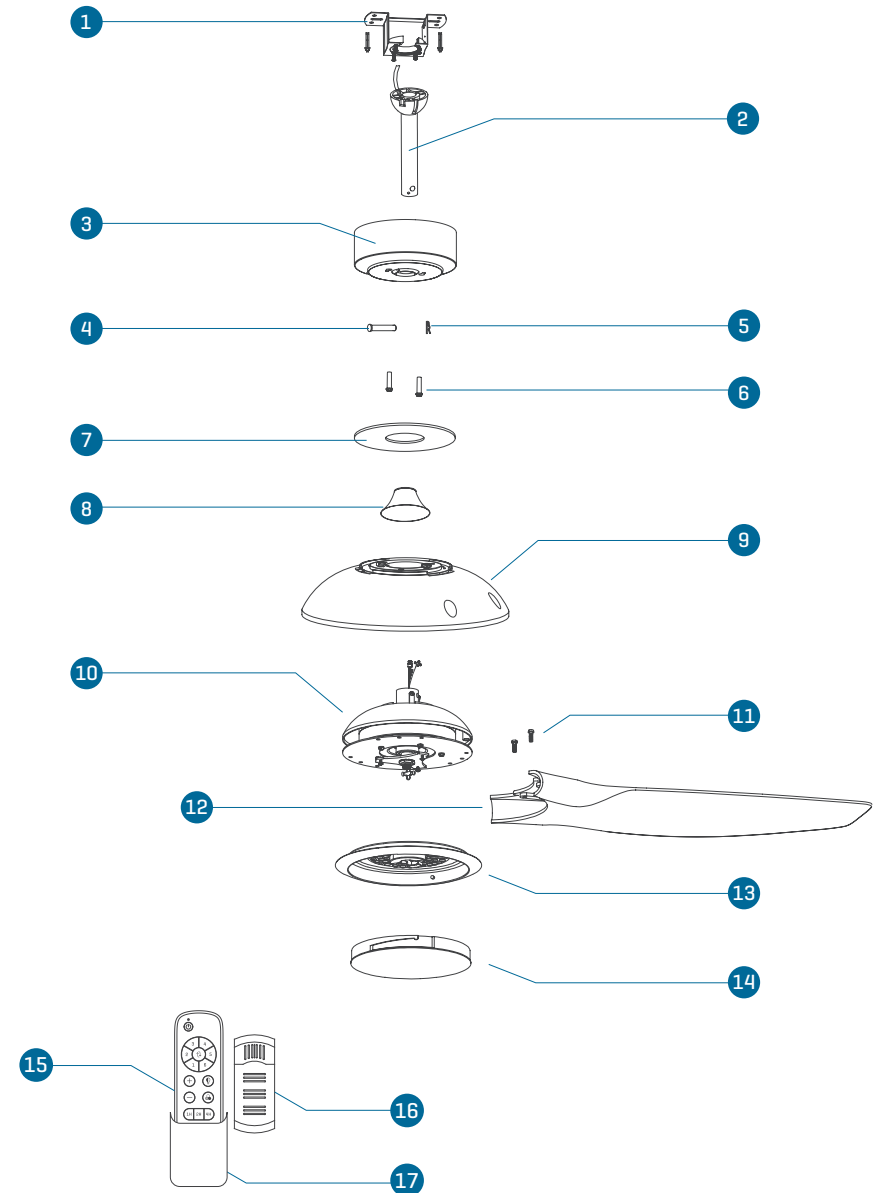
Children should be supervised to ensure that they do not play with the appliance.
2. Use this appliance only as described in this manual. Any other use not recommended by Voltex Electrical may cause fire, electric shock, or injury to persons and void the warranty. If you have questions, please contact Voltex Electrical first.
3. **WARNING:** If unusual wobbling or oscillating movement is observed, immediately stop using the ceiling fan and contact Voltex Electrical or suitably qualified persons.
4. This appliance is intended for household use and similar applications only. It is not suitable for use in an environment heavily laden with dust.
5. Do not operate any appliance that malfunctions or is dropped or appears damaged in any way.
6. Do not allow any foreign object to enter through the lens opening or the rear of the appliance as this may damage the appliance and/or the user.
7. There are no user-serviceable parts inside the appliance. Contact your local electrician if servicing is required.
8. The replacement of parts of the safety suspension system device shall be performed by suitably qualified persons only.
9. Make sure that the power supply is properly disconnected before maintenance.
10. Make sure the fan is switched off from the supply mains before cleaning.

SAFETY PRECAUTIONS FOR BATTERIES

1. Always use 2 x AAA battery type for CFWL, CFWL48, CFBL, CFBL48, and 1 x A23 12V battery type for CFW, CFB, CFW48, CFB48 with this ceiling fan remote controller.
2. Ensure the batteries are inserted with the correct polarity.
3. Remove batteries from the remote control when not in use for long periods of time.
4. Batteries must be removed from the remote controller before it is discarded.

PARTS LIST

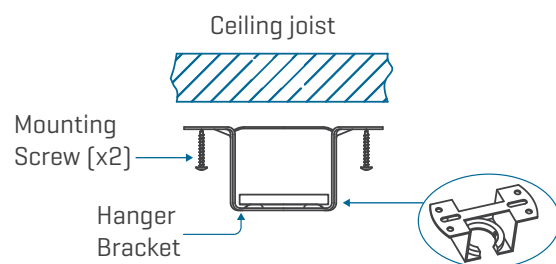
NO.	ITEM	QUANTITY
1	Hanger Bracket	1
2	Down rod Assembly	1
3	Canopy	1
4	Clevis Pin	1
5	Hairclip Pin	1
6	Canopy Screws	2
7	Magnetic Cover	1
8	Coupling Cover	1
9	Top Housing	1
10	Fan Motor Assembly	1
11	Blade Screws	6
12	Blades	3
13	LED Light Kit	1
14	Lampshade	1
15	Remote Control	1
16	Receiver	1
17	Remote Holder	1



INSTALLATION

This fan is designed for indoor spaces. Though not waterproof, it can be installed in alfresco settings and coastal regions, as long as it is installed in an area safe from water, wind and dust, with at least one wall on the side. If exposed to these elements, the warranty will be voided. Mounting the fan in a situation where it is subject to water or moisture poses a safety risk.

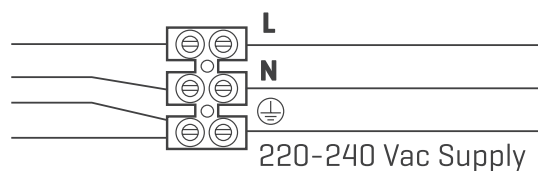
- 1 Securely attach the hanger bracket to the ceiling using mounting screws.



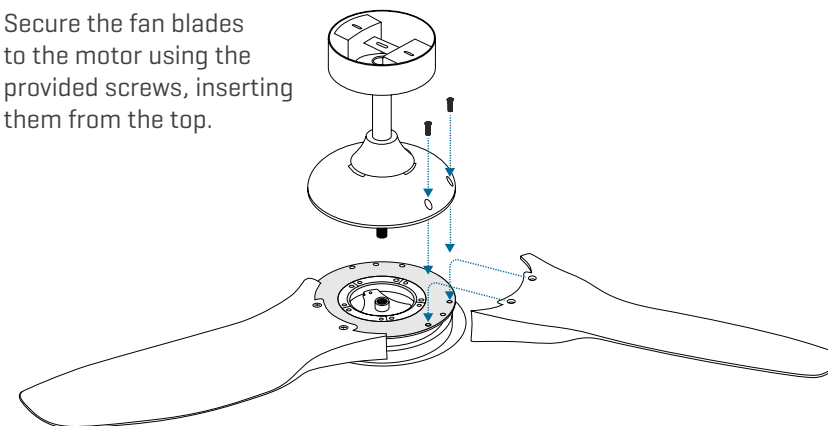
NOTE: The ceiling fan must be installed 300mm minimum from the tip of the blade to nearest object or wall.

The screws provided are for use with wooden supports only, if the support is not wooden, appropriate screws must be used.

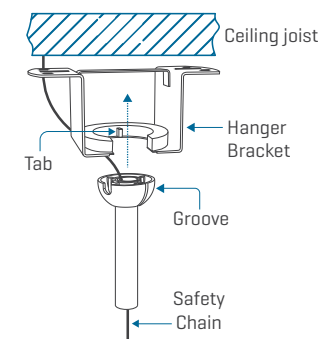
- 2 Connect 240V mains power to the terminal Block located on the hanger bracket.



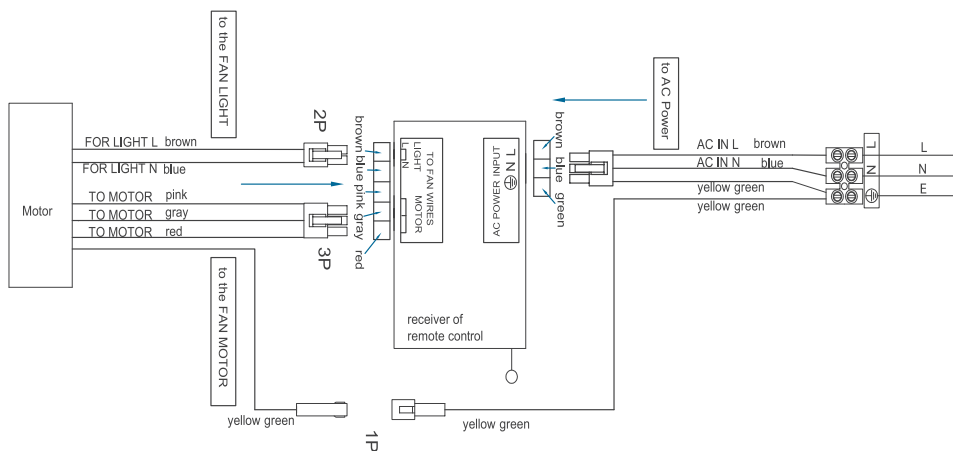
- 3 Secure the fan blades to the motor using the provided screws, inserting them from the top.



- 4 Carefully lift the fan and place the down rod with hanger ball assembly onto the hanger bracket. Ensure that the groove in the ball is correctly aligned with the tab on the hanger bracket.

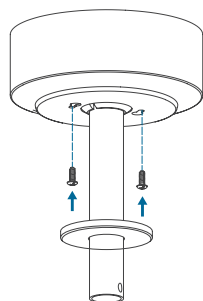


5 Plug in all leads from the power input to the receiver.



6 Take the canopy and twist onto the pre-loosened ceiling mount screws carefully.

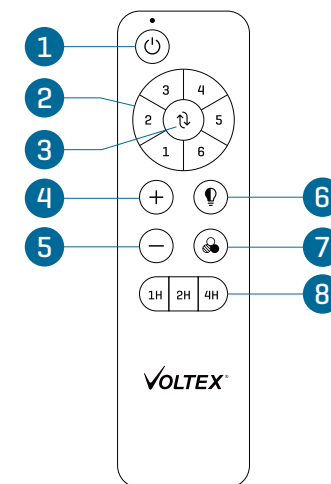
Once the canopy is attached, slide the magnetic ring up to cover the screws.



REMOTE CONTROL SETTINGS AND OPERATIONS

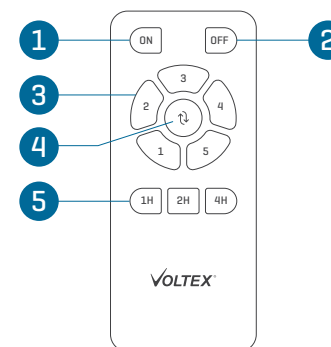
CFWL, CFBL, CFWL48, CFBL48

1. Fan Off
2. Speeds 1-6
3. Reverse - Summer/Winter
4. Dim up. [Press, or press and hold dim up button for continuous dimming]
5. Dim down. [Press, or press and hold dim down button for continuous dimming]
6. Light On/Off
7. Tri Colour Change
8. Timer function



CFW, CFB, CFW48, CFB48

1. Power On
2. Power Off
3. Speeds 1-5
4. Reverse - Summer/Winter
5. Timer Functions



PAIRING A NEW REMOTE TO THE FAN:

1. Ensure Remote has batteries fitted & power to wall switch is on.
 2. Turn wall switch off for minimum 10 seconds.
 3. Turn wall switch back on- The fan should emit a short "beep" sound.
 4. Press & hold the "ON" button on the remote & continue to hold until a double "beep" is heard.
 5. Release the button.
- * Remote should now be paired & old remote automatically unpaired.

CLEANING SAFEGUARDS

The LED lamp shade is built in and non-replaceable, the homeowner should never open the cover

- ▶ **WARNING** Isolate the electrical supply before doing any cleaning of this product
- ▶ Periodic cleaning of your ceiling fan is the only maintenance required.
- ▶ It is recommended to clean every 6 months.
- ▶ Use a soft brush or lint free cloth to avoid scratching the paint finish.
- ▶ Do not soak or immerse your product in water or other liquids. It could damage the product and create the possibility of an electrical shock.
- ▶ Ensure that the product does not come in contact with any organic solvents or cleaners.
- ▶ To clean the fan blade, wipe with only a damp clean lint free cloth with NO cleaning agents or solvents.
- ▶ The motor has a permanently lubricated ball bearing so there is no need to oil.
- ▶ The LED lamp in the fan is built-in and is non-replaceable.



Voltex warrants all its ceiling fans against defective workmanship and faulty materials for 7 years from the original date of purchase. Please retain proof of purchase and electrical certificate of compliance.

Contact Voltex Electrical on 1300 722 275 [Australia]
or 0800 55 66 33 [New Zealand] for any warranty claims.



© Voltex Electrical 2023. All Rights Reserved.

AU P: 1300 722 275
E: sales@voltex.com
www.voltex.com

NZ P: 0800 55 66 33
E: sales@voltex.com
www.voltex.com