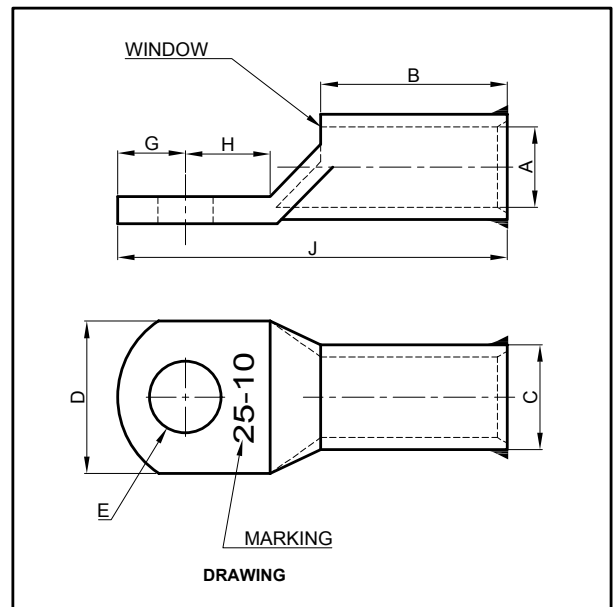




Technical Specifications:

Material:	Oxygen Free High Conductivity Copper
Finish:	Electroplated Tin Fully Annealed
Temperature Range:	-55°C To +155°C
Entry:	Bell Mouth



Compliance:

AS/NZS 4325:1
 EN 60998-1

Voltex Code	Cable mm2	Dimensions mm							
		Stud Size	Barrel ID	Barrel OD	Palm Width	Barrel Length	Stud Distance from Barrel	Stud Distance from Top	Total Length
		E	A	C	D	B	H	G	J
CL-1.5-4	1.5	4.2	1.8	3.7	8	7	5	4	18
CL-1.5-5	1.5	5.3	1.8	3.7	8	7	5	4	18
CL-1.5-6	1.5	6.4	1.8	3.7	10	7	7	4	20
CL-2.5-4	2.5	4.2	2.4	4	8	8	5	4	19
CL-2.5-5	2.5	5.3	2.4	4	10	8	6	5	21
CL-2.5-6	2.5	6.4	2.4	4	10	8	6	5	21
CL-2.5-8	2.5	8.4	2.4	4	11	7	9	6	24
CL-4-5	4	5.3	3.1	4.8	10	9	6	5	22
CL-4-6	4	6.4	3.1	4.8	10	9	6	5	22
CL-4-8	4	8.4	3.1	4.8	12	9	8	6	26
CL-4-10	4	10.5	3.1	5.5	13	9	11	8	32
CL-6-4	6	4.2	3.8	5.5	10	9	6	5	23
CL-6-5	6	5.3	3.8	5.5	10	9	6	5	23
CL-6-6	6	6.4	3.8	5.5	12	9	9	6	27
CL-6-8	6	8.4	3.8	5.5	12	9	9	6	27
CL-6-10	6	10.5	3.8	6.2	16	10	11	8	32

Voltex Code	Cable mm2	Dimensions mm							
		Stud Size	Barrel ID	Barrel OD	Palm Width	Barrel Length	Stud Distance from Barrel	Stud Distance from Top	Total Length
		E	A	C	D	B	H	G	J
CL-10-5	10	5.3	4.7	7.1	12	10	7	6	27
CL-10-6	10	6.4	4.7	7.1	12	10	7	6	27
CL-10-8	10	8.4	4.7	7.1	14	10	8	7	29
CL-10-10	10	10.5	4.7	7.1	16	10	11	8	32
CL-10-12	10	13	4.7	7.1	18	10	13	10	37
CL-16-6	16	6.4	5.5	7.9	11	19	8	6	37
CL-16-8	16	8.4	5.5	7.9	14	19	9	7	39
CL-16-10	16	10.5	5.5	7.9	16	19	10	8	41
CL-16-12	16	13	5.5	7.9	18	19	13	10	46
CL-25-6	25	6.4	7.1	9.5	14	21	9	7	41
CL-25-8	25	8.4	7.1	9.5	14	21	9	7	41
CL-25-10	25	10.5	7.1	9.5	16	21	10	9	44
CL-25-12	25	13	7.1	9.5	18	21	13	10	48
CL-35-6	35	6.4	8.2	11.2	16	21	10	9	45
CL-35-8	35	8.4	8.2	11.2	16	21	10	9	45
CL-35-10	35	10.5	8.2	11.2	18	21	10	9	46
CL-35-12	35	13	8.2	11.2	20	21	13	11	50
CL-50-6	50	6.4	9.5	12.8	18	22	11	9	48
CL-50-8	50	8.4	9.5	12.8	18	22	11	9	48
CL-50-10	50	10.5	9.5	12.8	18	22	11	9	48
CL-50-12	50	13	9.5	12.8	21	22	13	11	52

Voltex Code	Cable mm2	Dimensions mm							
		Stud Size	Barrel ID	Barrel OD	Palm Width	Barrel Length	Stud Distance from Barrel	Stud Distance from Top	Total Length
		E	A	C	D	B	H	G	J
CL-70	70	BL	11.2	14.3	21	24	24		54
CL-70-6	70	6.4	11.2	14.3	21	24	13	11	54
CL-70-8	70	8.4	11.2	14.3	21	24	13	11	54
CL-70-10	70	10.5	11.2	14.3	21	24	13	11	54
CL-70-12	70	13	11.2	14.3	21	24	13	11	54
CL-70-14	70	15	11.2	14.3	21	24	13	11	54
CL-70-16	70	17	11.2	14.3	28	24	18	16	64
CL-95	95	BL	13.5	17.4	25	27	26		60
CL-95-8	95	8.4	13.5	17.4	25	27	14	12	60
CL-95-10	95	10.5	13.5	17.4	25	27	14	12	60
CL-95-12	95	13	13.5	17.4	25	27	14	12	60
CL-95-14	95	15	13.5	17.4	25	27	14	12	60
CL-95-16	95	17	13.5	17.4	28	27	16	14	64
CL-120	120	BL	15.6	20.6	29	30	26		64
CL-120-8	120	8.4	15.6	20.6	29	30	14	12	64
CL-120-10	120	10.5	15.6	20.6	29	30	14	12	64
CL-120-12	120	13	15.6	20.6	29	30	14	12	64
CL-120-14	120	15	15.6	20.6	29	30	14	12	64
CL-120-16	120	17	15.6	20.6	29	30	16	16	70

Voltex Code	Cable mm2	Dimensions mm							
		Stud Size	Barrel ID	Barrel OD	Palm Width	Barrel Length	Stud Distance from Barrel	Stud Distance from Top	Total Length
		E	A	C	D	B	H	G	J
CL-150	150	BL	16.7	22.5	32	30	32		71
CL-150-10	150	10.5	16.7	22.5	32	30	16	16	71
CL-150-12	150	13	16.7	22.5	32	30	20.5	20.5	80
CL-150-16	150	17	16.7	22.5	32	30	20.5	20.5	80
CL-185	185	BL	18.4	24.2	35	32	32		74
CL-185-10	185	10.5	18.4	24.2	35	32	16	16	74
CL-185-12	185	13	18.4	24.2	35	32	20.5	20.5	83
CL-185-16	185	17	18.4	24.2	35	32	20.5	20.5	83
CL-240	240	BL	21.2	28.2	40	38	42		92
CL-240-10	240	10.5	21.2	28.2	40	38	21	21	92
CL-240-12	240	13	21.2	28.2	40	38	21	21	92
CL-240-16	240	17	21.2	28.2	40	38	21	21	92
CL-300	300	BL	23.5	31.3	45	42	46		101
CL-300-12	300	13	23.5	31.3	45	42	23	23	101
CL-300-14	300	15	23.5	31.3	45	42	23	23	101
CL-300-16	300	17	23.5	31.3	45	42	23	23	101
CL-400	400	BL	26.8	34.8	50	44	52		114
CL-400-12	400	13	26.8	34.8	50	44	28	24	114
CL-400-16	400	17	26.8	34.8	50	44	28	24	114
CL-500	500	BL	30.0	39.0	56	50	56		124
CL-500-12	500	13	30.0	39.0	56	50	28	28	124
CL-500-16	500	17	30.0	39.0	56	50	28	28	124
CL-630	630	BL	34.0	45.0	65	58	56		134
CL-630-12	630	13	34.0	45.0	65	58	28	28	134
CL-630-16	630	17	34.0	45.0	65	58	28	28	134
CL-800	800	BL	39.3	53.3	74	125	125		275
CL-1000	1000	BL	44.0	60.0	84.6	130	125		295