



**DM250X**  
 Gloss White Knob



**DM250X**  
 Matte Black Knob



**ADM250X**  
 Matte White Knob



**ADM250X**  
 Matte Black Knob



**ADM250X**  
 Dark Grey Knob

**TECHNICAL SPECIFICATIONS**

<b>Operating Voltage</b>	230 Vac 50 Hz
<b>Ambient Temperature Range</b>	0-50° C
<b>Maximum Load</b>	250W
<b>Minimum Load</b>	2W
<b>Switching</b>	Requires an external switch for on/off operation
<b>Compatible loads</b>	See next page
<b>Non-compatible loads</b>	See next page
<b>Dimmer Protection</b>	Thermal Overload protection [conduction angle wind-back] Over Current [short circuit] protection [resettable] Over Voltage protection [resettable]
<b>Certified Standards</b>	AS/NZS 60669.2.1, CISPR15

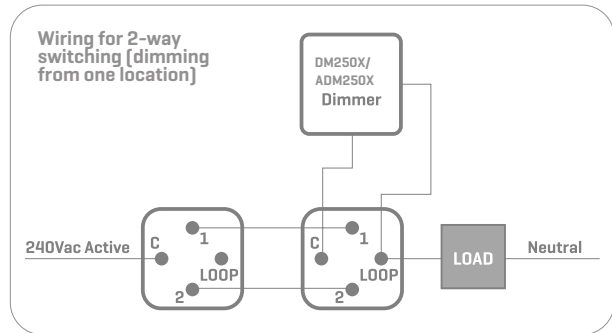
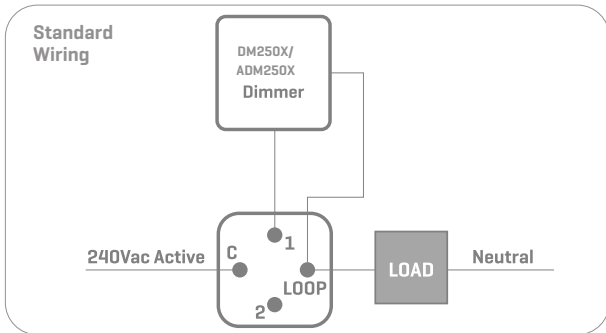
**GENERAL**

<b>Externally switched 2-wire dimmer</b>	No neutral wire connection required at the dimmer
<b>DM250X</b>	Fits standard Australian wall switch plates
<b>ADM250X</b>	Compatible with Aria wall switch plates
<b>Rotary control</b>	Minimum and maximum end-stops
<b>Mechanical adjustment</b>	Minimum brightness level
<b>Integrated 'on' LED indicators</b>	Blue LEDs: DM250X White LEDs: ADM250X

ARIA



**WIRING**



**LOAD COMPATIBILITY**

Load Type	Load Symbol	Maximum Load
Dimmable LED downlights / lamps <sup>1</sup>		250W
Incandescent / 240V Halogen Lamps		250W
Low Voltage Halogen (Dichroic) Lighting with Iron-core Transformers <sup>2</sup>		250W
Low Voltage Halogen (Dichroic) Lighting with Electronic Transformers <sup>2</sup>		250W
Dimmable Compact Fluorescent Lamps <sup>3</sup>		150W
Motors / Fans		Not Compatible
Non-dimmable Fluorescent / Compact Fluorescent Lamps		Not Compatible

1. Different brands of dimmable LED lamps/drivers have different dimming capabilities. The DM250X/ADM250X dimmer has been designed to adapt to a wide range of dimmable LED lamps/drivers. However, Voltex cannot guarantee compatibility with all LED lamps/drivers marketed as being compatible with trailing edge dimmers.
2. Compatible with Atco & Clipsal transformers when loaded to at least 75% of their rated output.
3. Refer to lamp manufacturer's guidelines.

