



DM250X

- Externally switched 2-wire dimmer [no neutral wire connection required at the dimmer]
- 250W Maximum LED Load
- 2W minimum load
- Fits standard Australian wall switch plates
- Rotary control with minimum and maximum end-stops
- Mechanical adjustment for minimum brightness level
- Integrated 'on' LED indicators [blue LEDs]
- Thermal Overload protection [conduction angle wind-back]
- Over Current [short circuit] protection [resettable]
- Over Voltage protection [resettable]

Technical Specifications:

Operating Voltage	230 Vac 50 Hz
Ambient Temperature Range	0-50° C
Maximum Load	250W
Minimum Load	2W
Switching	Requires an external switch for on/off operation
Compatible loads	See table below
Non-compatible loads	See table below
Dimmer Protection	Thermal Overload protection [conduction angle wind-back] Over Current [short circuit] protection [resettable] Over Voltage protection [resettable]
Certified Standards	AS/NZS 60669.2.1, CISPR15

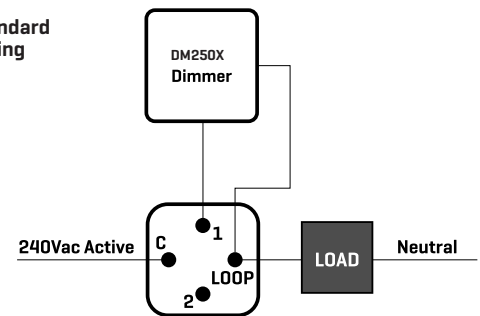
Load Compatibility:

Load Type	Load Symbol	Maximum Load
Dimmable LED downlights / lamps ¹		250W
Incandescent / 240V Halogen Lamps		250W
Low Voltage Halogen [Dichroic] Lighting with Iron-core Transformers ²		250W
Low Voltage Halogen [Dichroic] Lighting with Electronic Transformers ²		250W
Dimmable Compact Fluorescent Lamps ³		150W
Motors / Fans		Not Compatible
Non-dimmable Fluorescent / Compact Fluorescent Lamps		Not Compatible

1. Different brands of dimmable LED lamps/drivers have different dimming capabilities. The DM250X dimmer has been designed to adapt to a wide range of dimmable LED lamps/drivers. However, Voltex cannot guarantee compatibility with all LED lamps/drivers marketed as being compatible with trailing edge dimmers.
2. Compatible with Atco & Clipsal transformers when loaded to at least 75% of their rated output.
3. Refer to lamp manufacturer's guidelines.

Wiring:

Standard Wiring



Wiring for 2-way switching (dimming from one location)

