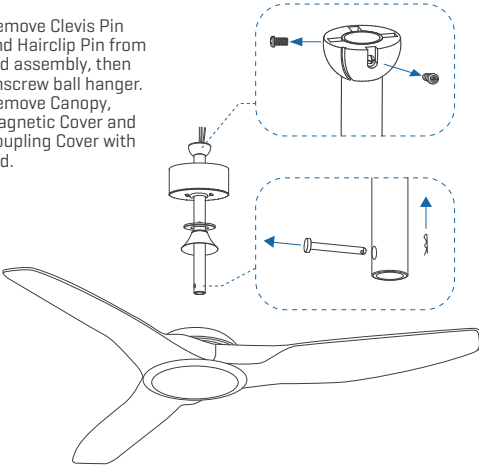


Extension Rod Installation Instructions

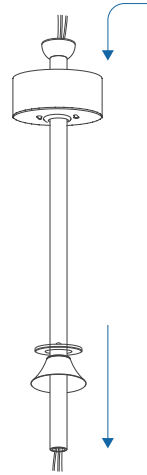
CFERW600, CFERB600

CFERW600 | **WHITE**CFERB600 | **BLACK****1**

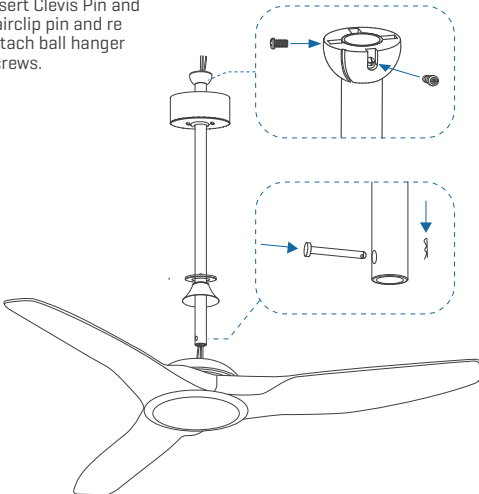
Remove Clevis Pin and Hairclip Pin from rod assembly, then unscrew ball hanger. Remove Canopy, Magnetic Cover and Coupling Cover with rod.

**2**

Plug in extension leads and insert new extension rod with Canopy, Magnetic Cover and Coupling Cover attached.

**3**

Insert Clevis Pin and hairclip pin and re attach ball hanger screws.

**4**

Fan is ready to be attached to hanger bracket

