



EV111



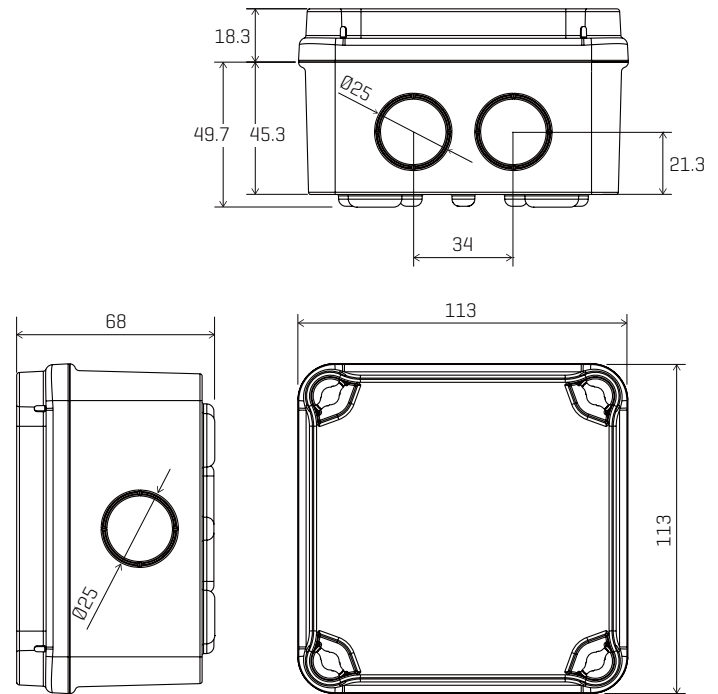
EX111

Technical Specifications:

IP Rating:	EV111: IP65 EX111: IP67*
Impact Rating:	IK07
Weight:	0.16KG
Cable Entry:	7 x M25
Materials:	Halogen-free polystyrene
Glow Wire Resistance:	650°C
Colour:	Grey
Ball Pressure Test:	70°C
Ambient Temperature Range:	-25°C/ +40°C
Max Operating Voltage:	1000 VAC/ 1500VDC
Double Insulation:	Class II

*Requires IP68 Gland

Dimensions:



Compliance

IEC 60998-2-5

