



EVT231



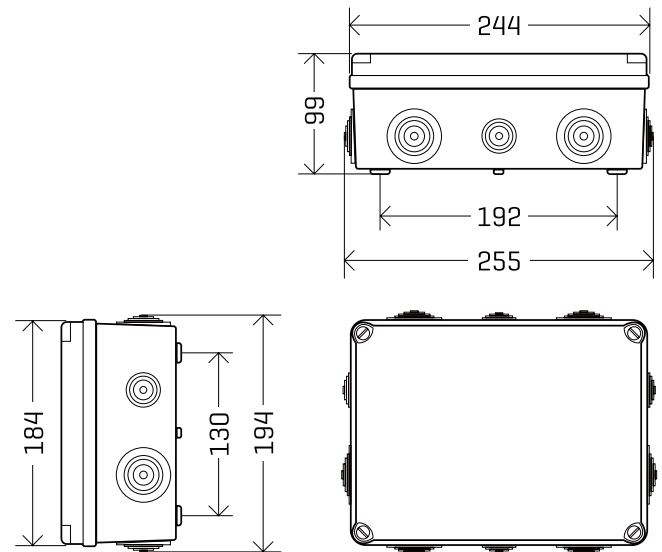
EXT231

Technical Specifications:

| | |
|----------------------------|--------------------------|
| IP Rating: | IP65/ EXT231: IP67* |
| Impact Rating: | IK07 |
| Weight: | 0.53kg |
| Cable Entry: | 6 x M25, 4 x M40 |
| Base/ Lid Material: | Halogen-free polystyrene |
| Glow wire resistance: | 650° C |
| Ball Pressure Test: | 70° C |
| Ambient Temperature Range: | -25° C / +40° C |
| Max Operating Voltage: | 1000 VAC / 15000 VDC |
| Double Insulation: | Class II |

* Using IP68 Gland

Dimensions:



Compliance:

IEC 60998-2-5

