



EX161

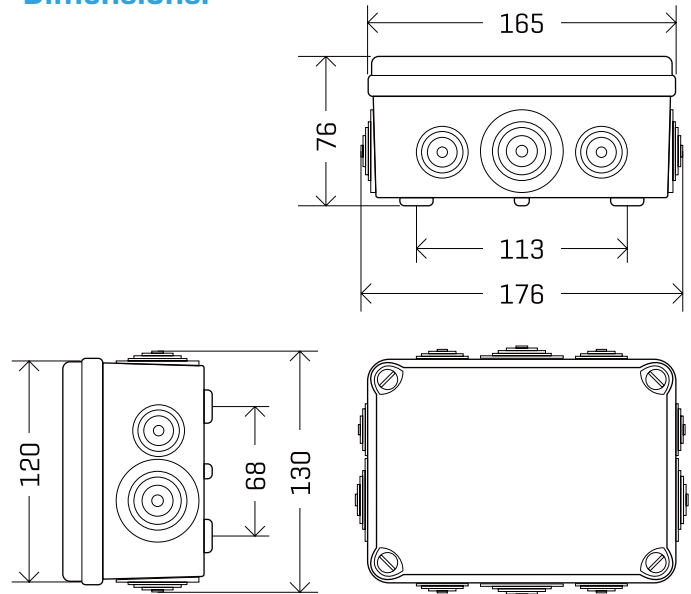


EV161

Technical Specifications:

IP Rating:	IP65 - IP67*
Impact Rating:	IK07
Weight:	0.25KG
Cable Entry:	6 x M25, 4 X M40
Base / Lid Material:	Halogen-free Polystyrene
Glow Wire Resistance:	650° C
Ball Pressure Test:	70° C
Ambient Temperature Range:	-25° C / +40° C
Max Operating Voltage:	1000 VAC / 15000 VDC
Double Insulation:	Class II
* Using IP68 Gland	

Dimensions:



Compliance:

IEC 60998-2-5

