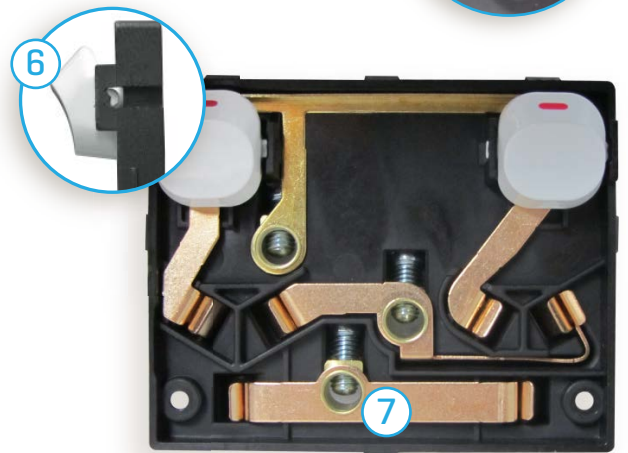
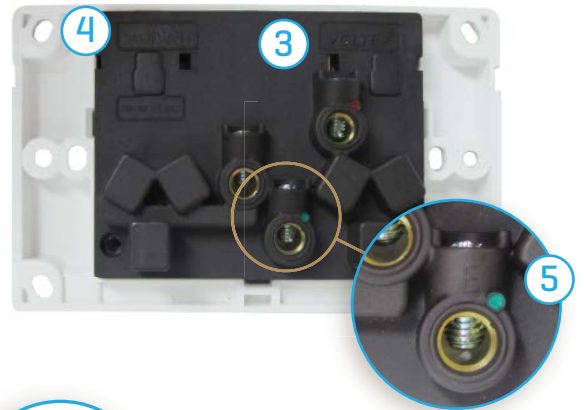




Original Series

Style and performance
in one brand

- ① Highly durable polycarbonate material
- ② Stylish, with a minimalistic look that will complement any modern interior.
- ③ Certified Standards SAA 121363 EA
- ④ Multiple fixing points (8 in total) to suit all possible mounting applications.
- ⑤ Strong, robust flat and phillips screwheads, with rounded ends for better adjustment.
- ⑥ Tested switch mechanism design that guarantees no risk of midpoint.
- ⑦ Large 6mm terminals provide ample room for cabling.



ORIGINAL SERIES



ELECTRICAL ACCESSORIES

Voltex Power Outlet Single
250V 10A - 15A

OPP1H & OPP1H15



Voltex Power Outlet single
250V 10A with extra switch

OPP1HX



Voltex Power Outlet
double 250V 10A

OPP2H



Voltex Power Outlet double
250V 10A with extra switch

OPP2HX



Voltex Original Power Outlet
double 250V 10A Vertical

OPP2V



SPECIFICATIONS

Plate size: 118mm [W] x 73mm [H]

Mounting centre: 84mm

Terminals to suit: 4 x 2.5mm sq. cable

Approval No SAA121363EA



Switches 1 to 6 GANG / 250V 15AX - Original

OSW1



OSW2



OSW3



OSW4



OSW6



OSW7



Switch Plates 1 to 6 GANG

OSW1P



OSW2P



OSW3P



OSW4P



OSW5P



OSW6P



SPECIFICATIONS

Plate size: 118mm [W] x 73mm [H]

Mounting centre: 84mm

Terminals to suit: 4 x 2.5mm sq. cable

Approval No SAA121364EA

ORIGINAL SERIES



ELECTRICAL ACCESSORIES

Switch Mechanisms

A comprehensive range of marked mechanisms are available in the Voltex Classic series. Quality etching ensures that the marking does not wear off with use.



SPECIFICATIONS

Wide range of mechanisms, includes labeled switches and socket mechanisms.
Fully compatible with other leading brands
No risk of midpoint guaranteed
Body fits 22 mm Ø