

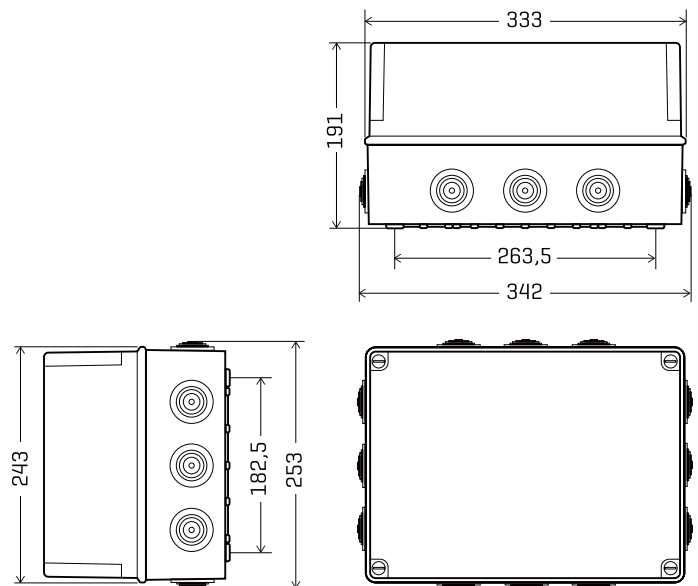


Technical Specifications:

IP Rating:	IP65- IP67*
Impact Rating:	IK07
Weight:	1.48kg
Cable Entry:	12 x M40
Materials:	Base: Halogen-free Polystyrene Lid: PC
Glow wire resistance:	650C
Ball Pressure Test:	70°C
Ambient Temperature Range:	-25C/ +40C
Max Operating Voltage:	1000 VAC/ 1500VDC
Double Insulation:	Class II

* Using IP68 Gland

Dimensions:



Compliance

IEC 60998-2-5

