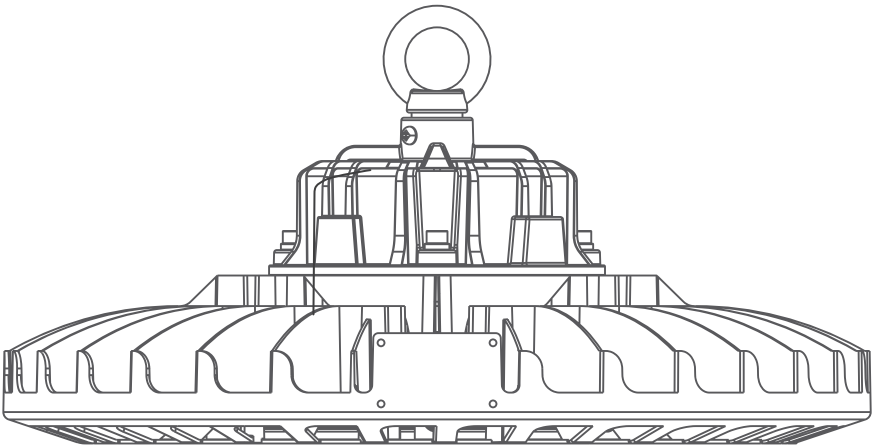


VOLTEX[®]

HIGH BAY LIGHTS

Installation Manual





IMPORTANT INSTALLATION, USER & WARRANTY INSTRUCTIONS

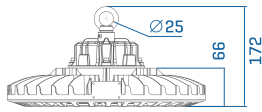
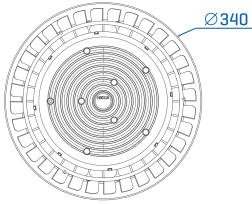
1. To avoid damage, falling, electric shock or fire, please do not modify the lamp or replace accessories without confirming with the supplier first.
2. Please authorise only qualified personnel to install the lamp and ensure they follow the instruction manual. Any improper installation might cause falling, electric shock, fire, or other injury, damage or hazard.
3. Please disconnect power before installation or any maintenance of the lamp.
4. Please disconnect power if it begins to smoke or emit odors, since fire or electric shock may occur. Ask qualified person to inspect and maintain the luminaire.
5. Please do not dismantle the lamp without authorisation from Voltex.
6. Please do not touch the power supply when the lamp is operating.
7. If the external flexible cable or cord of the luminaire is damaged, it should only be replaced by the supplier, a service agent or qualified person.

APPLICATIONS

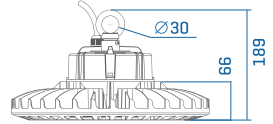
With an aluminum housing, powerful SMD LED chip and a highly efficient LED driver, Voltex LED High Bay lights are designed for a variety of applications. Ideally Suited to factories, workshops, warehouses, highway toll stations, fuel stations, supermarkets, exhibition halls, stadiums and similar applications. Suitable for indoor use.

Electrical Specifications			
Product	100W	150W	200W
HID Equivalent	250W	400-600W	700W
Inrush Current	60A @450us	60A @650us	60A @650us
Power Frequency	50/60Hz		
CRI	>80		
Beam Angle	120°	120°	120°
IP Rating	IP65		
Impact Rating	IK10		
Luminaire Net Weight	3.3Kg	3.7Kg	3.7Kg
Lumens	13,000lm [+/- 5%]	19,500lm [+/- 5%]	26,000lm [+/- 5%]
Light Colour	5000K		
Dimming	1-10V Dimmable		
Chips	Philips [Lumileds]		
Driver	Sosen Dimmable [1-10V]		
Body	Aluminium Alloy, Black		
System Efficacy	130lm/W		
Power Factor	>9.2		
Lifespan	>50000Hrs [L70@30°]		
Working Temperature	-30 - +50°		
Working Humidity	15% - 90%RH		
Leakage Current	<0.75mA		

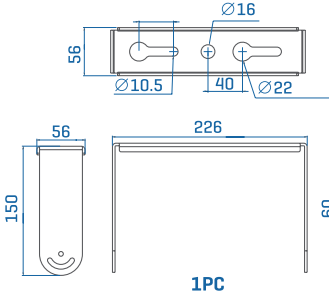
DIMENSIONS



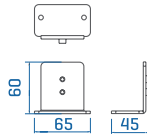
100W



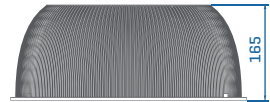
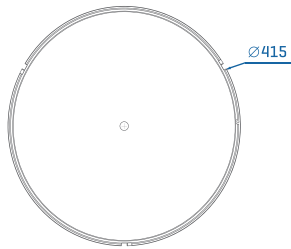
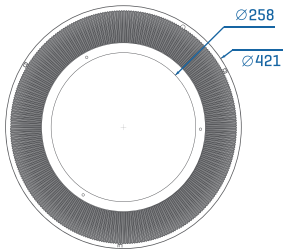
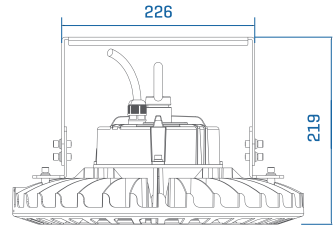
150W/200W



1PCS



2PCS



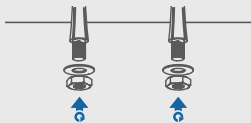
Ø4x20
Screw A: 3 pcs



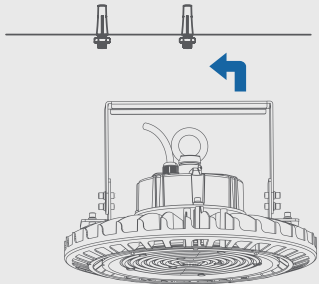
Ø3.5x8
Screw B: 1 pc

INSTALLATION INSTRUCTIONS

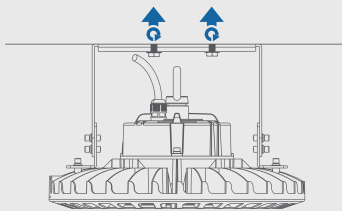
1



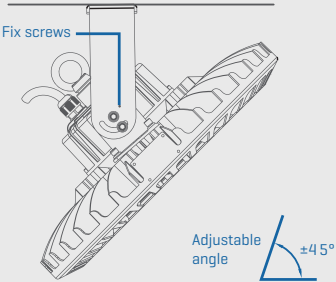
2



3



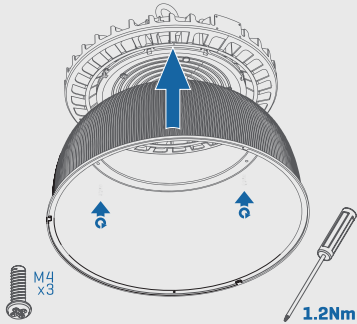
4



INSTALLATION INSTRUCTIONS

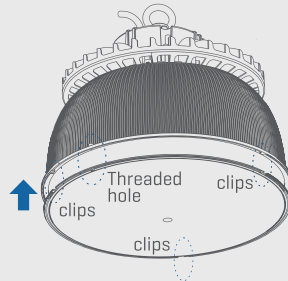
1

Install the Anti-glare diffuser body to LED high bay with 3 supplied screws.



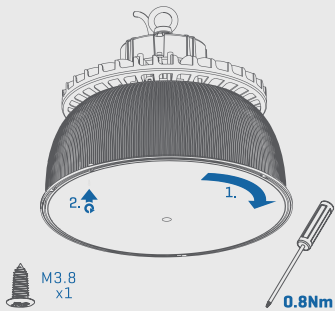
2

Put the clips and threaded hole to matching positions.

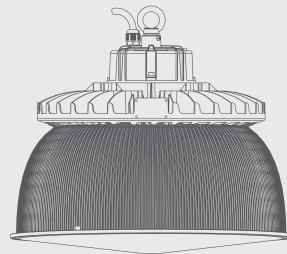


3

Push the cover in clockwise direction to make the clips locked tight, fasten the diffuse body and cover with the supplied screw.



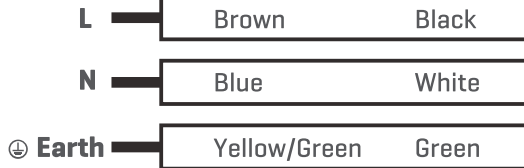
4



WIRING DIAGRAMS



IMPORTANT: This device must be installed by a licensed electrical contractor or electrician and in accordance with national and local building regulations and the Australian and New Zealand wiring rules AS/NZS 3000 latest edition thereof



SELV / Dimming Output



Voltex warrants all its High Bay-light against defective workmanship and faulty materials for 7 years from the original date of purchase. Please retain proof of purchase and electrical certificate of compliance.

Contact Voltex Electrical on 1300 722 275 [Australia]
or 0800 55 66 33 [New Zealand] for any warranty claims.

VOLTEX[®]

© Voltex Electrical 2025. All Rights Reserved.

AU P: 1300 722 275
E: sales@voltex.com
www.voltex.com

NZ P: 0800 55 66 33
E: sales@voltex.com
www.voltex.com