

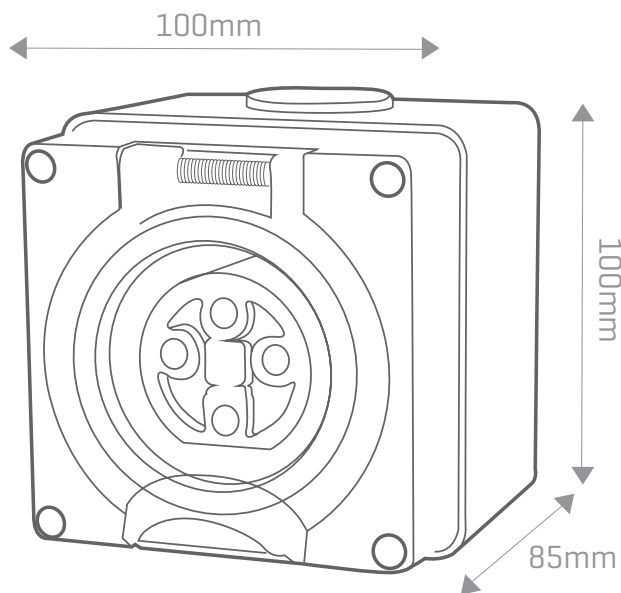


C66S0440





TECHNICAL SPECIFICATIONS

Cover Material	Polycarbonate
Protection Type	Without Protection [No RCD]
IP Rating	IP66
Optimum Operating Temperature	-25°C to 50°C
UV Resistant	Yes
Chemical Resistant	Low - Not suitable for environments with chemicals/oils
Cable Entry in Enclosure	25mm x 2 and 32mm x 1
Max Terminal Size for Cable	25mm ² [Appropriate entry reducers included]
Compliance	AS/NZS 3123 AS/NZS 3121 AS/NZS 3100

DIMENSIONS



PRODUCT RANGE

IP Rating	Volts	Amp	Pin No.	Socket Conf.
C66S0310	250	10	3	
C66S0315	250	15	3	
C66S0320F	250	20	3	
C66S0320	250	20	3	
C66S0332	250	32	3	
C66S0410	500	10	4	
C66S0420	500	20	4	
C66S0432	500	32	4	
C66S0440	500	40	4	
C66S0450	500	50	4	
C66S0510	500	10	5	
C66S0520	500	20	5	
C66S0532	500	32	5	
C66S0540	500	40	5	
C66S0550	500	50	5	

