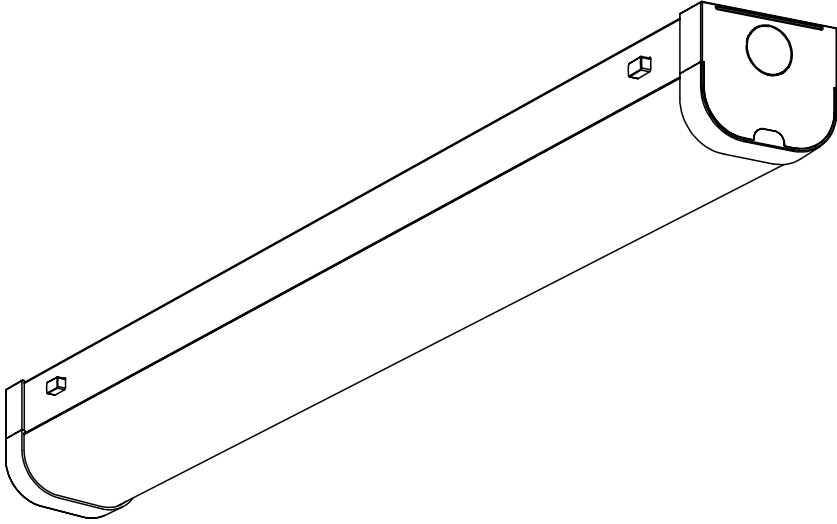


VOLTEX® INSTALLATION GUIDE

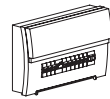
Indoor LED batten LBS Series
LBS620, LBS1240, LBS1550



INSTALLATION PROCEDURE

WARNING

1. Switch off before installation / maintenance.
2. Switch on only after complete installation and examination of the circuit.
3. Professional electrician for installation and maintenance only.

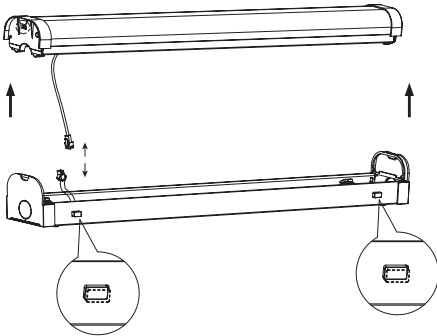


Turn Off power supply before starting any installation. Read instructions & check you have all the tools & accessories to complete the installation correctly.

HOW TO INSTALL

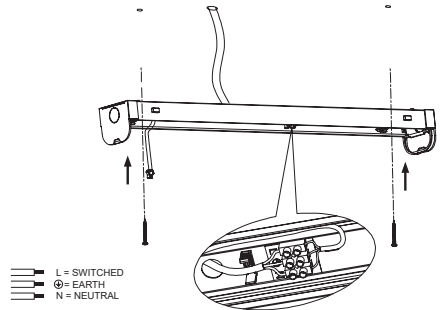
Step 1

Press the snap-on button and remove the cover.



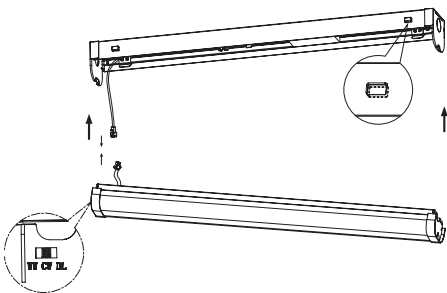
Step 2

Connect the cable to terminal block. Fix the base to the ceiling.



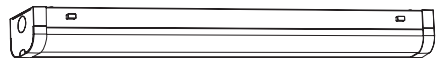
Step 3

Slide the preferred CCT, connect the DC plug. Press the snap-on button and fix the cover to the base.



Step 4

Installation complete.



TECHNICAL SPECIFICATIONS

Technical Specifications:

Rated Wattage	LBS620: 20W LBS1240: 40W LBS1550: 50W
Rated Input Voltage	AC230V
Input Voltage	AC200-240V
Efficiency	>85%
Light Source	SMD
SDCM	<5
CCT[K]	3CCT: 3000K + 4000K + 5700K
CCT Selection DIP Switch	YES
CRI	Ra>80
Beam Angle	120°
LED Driver	Built-in Non-Dimmable
Electrical Class	Class I
IP Rating	IP20
IK Rating	IK08
Product Finishing[Base]	White RAL 9016
Materials of Optics	PC
Materials of Housing	PC / IRON
Lifetime [hr]	50,000h
Glow wire test	750°C
Operating Temp.	10°C-45°C
Storage Temp.	0°C-65°C
Installation	Surface mount

Driver Specifications:

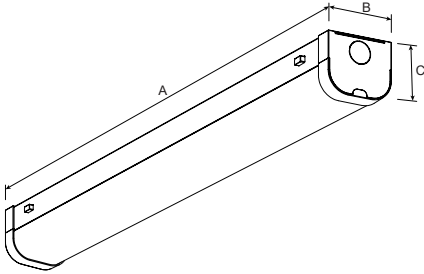
Input Current	20W: ≤0.12A 40W: ≤0.23A 50W: <0.28A
Power Factor	0.9
Efficiency	>85%
No load wattage	<0.5W
Short circuit protection Over voltage protection Over temperature protection	Pass

Luminous Flux :

[lm] ±5%

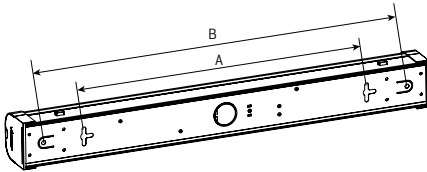
	LBS620	LBS1240	LBS1550
3-CCT	1800~2200	4000~4600	5200~5850

DIMENSIONS



Measurements in mm

Model	A	B	C
LBS620	603	71	64
LBS1240	1203	71	64
LBS1550	1503	71	64



Measurements in mm

Model	A	B
LBS620	420	540
LBS1240	900	1052
LBS1550	1120	1352



© Voltex Electrical 2024. All Rights Reserved.

Australia www.voltex.com
 P: 1300 722 275 E: sales@voltex.com

New Zealand www.voltex.com
 P: 0800 55 66 33 E: sales@voltex.com