

# Appliance Inlets

## 20A - 50A Round Pins

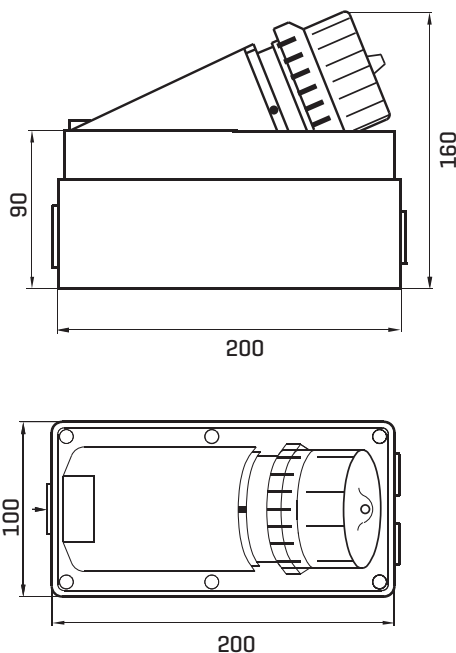


### Appliance inlets 3, 4 and 5 pins from 20 to 50A

Impact resistant and UV stabilised this angled pin housing enables extension socket plugs to be neatly connected without bulky right angle entry.

A screwed lock ring is standard on all models to secure extension sockets and appliance connectors, and ensure IP integrity.

### Dimensions



Reference	Volts	Amp	Pin No
C66AI320	250	20	3
C66AI332	250	32	3
C66AI410	500	10	4
C66AI420	500	20	4
C66AI432	500	32	4
C66AI440	500	40	4
C66AI450	500	50	4
C66AI510	500	10	5
C66AI520	500	20	5
C66AI532	500	32	5
C66AI540	500	40	5
C66AI550	500	50	5

SS-030217