

# VOLTEX® INSTRUCTION GUIDE

## SWITCHBOARD PLATE

PSF12W-P, PSF18W-P,  
PSF24W-P, PSF36W-P

### ITEMS INCLUDED

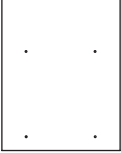


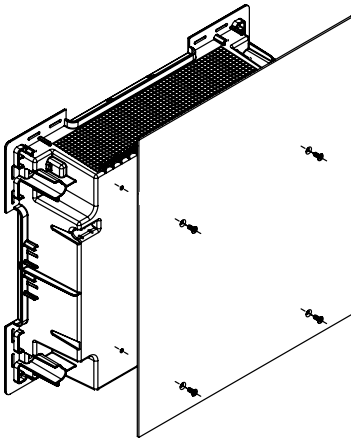
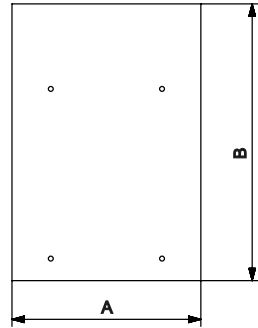
Plate x1



Screw x4

### METAL PLATE

MODEL	A [mm]	B [mm]
PSF12W-P	270	325
PSF18W-P	378	325
PSF24W-P	270	490
PSF36W-P	270	615



The section that extends outside the frame of the board is to protect the incoming mains cables. The plate can be reoriented to suit either direction.