



50W



72W



120W & 200W

A powerful LED floodlight which is designed for area lighting. New design with an symmetric distribution curve with high efficiency. Made of a aluminum die-casting body, aluminum bracket and stainless screws, providing good corrosion resistance.

IP66 rated making it suitable for Billboard lighting, Garden/Building decoration, Parking area, etc.

NOTE: not suitable for MARINE applications

Technical Data:

Driver	Housed internally
Light Source	Cree JK2835 9-V
Light Colour/ Temperature	Cool White [± 5700K]
Beam Angle	120°
Life Span	>50,000 hours
IP Rating	IP66
Housing Colour	Black
Tempered Glass	Semi-frosted
Working Temperature	-20C to +50C
Flex and plug	Yes
Flex length	1.4m

LED Flood Light IP66							
Product Code	Power [No of Chips]	H	W	D	Lumens	Efficiency	Net weight
FLB-CW/50W	50W	330mm	225mm	55mm	5000-5500 Lm	100-110 lm/W	3.1kg
FLB-CW/72W	72W	372mm	250mm	75mm	7000-7900 Lm	100-110 lm/W	4.8kg
FLB-CW/120W	120W	450mm	340mm	75mm	12000-13000 Lm	100-110 lm/W	5.8kg
FLB-CW/200W	200W	450mm	340mm	90mm	21000-22400 Lm	105-115 lm/W	7.8kg

Transparent rate: 93%
 Foggy glass: Anti-glare
 Thickness 4mm: IK08

1060 Pure Al
 Reflective rate: 99%

LED: **CREE JK2835 9-V**
 CRI: > 80, Typical 83Ra
 High Efficiency: 140lm/W
 Lm80 passed, L70>54,000 hours
 SDCM: Macadam ellipse 3step

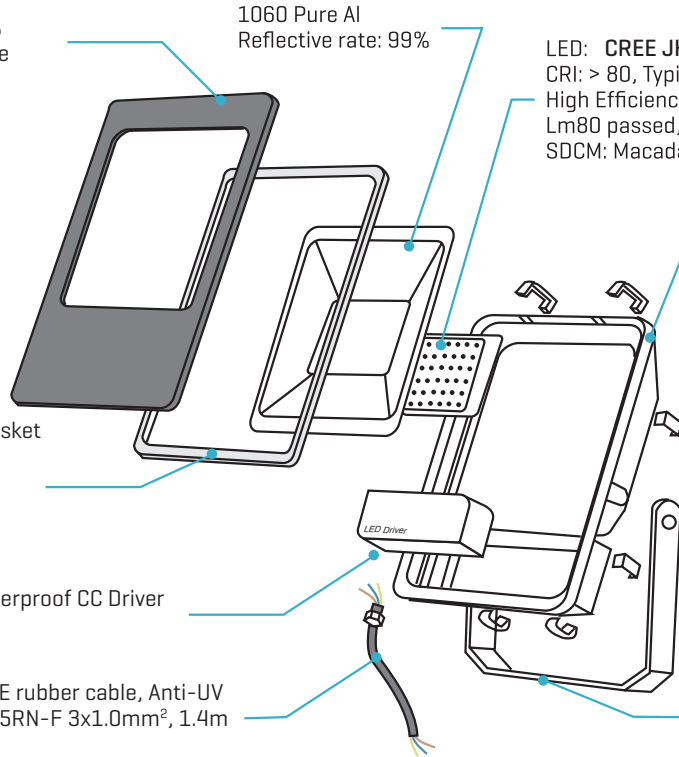
Die-casting housing
 Excellent heat dissipation
 Self-cleaning design
 Powder Coating
 IK08 & IP66

Silicone Rubber Gasket
 Thickness: 10mm
 Resistant to UV,
 heat [-65c - 250c]

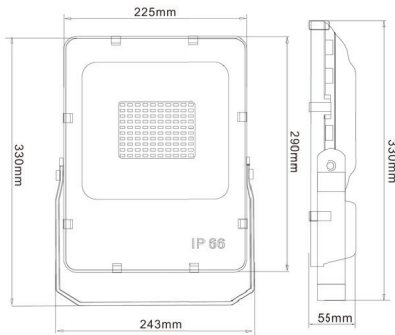
IP66 Waterproof CC Driver
 PF>0.95

VDE rubber cable, Anti-UV
 H05RN-F 3x1.0mm², 1.4m

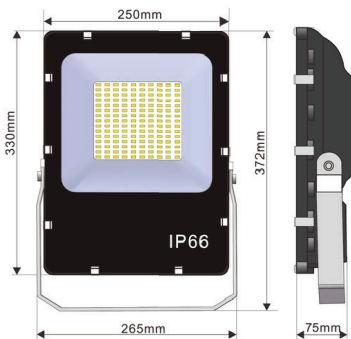
4mm Aluminum Bracket
 Corrosion resistance



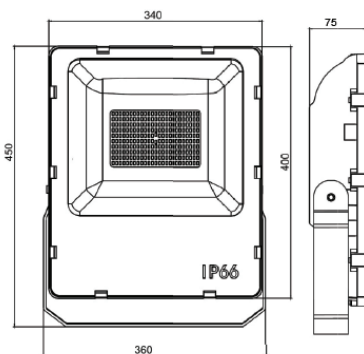
Dimensions:



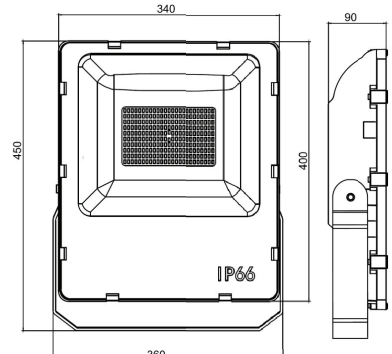
50W



72W



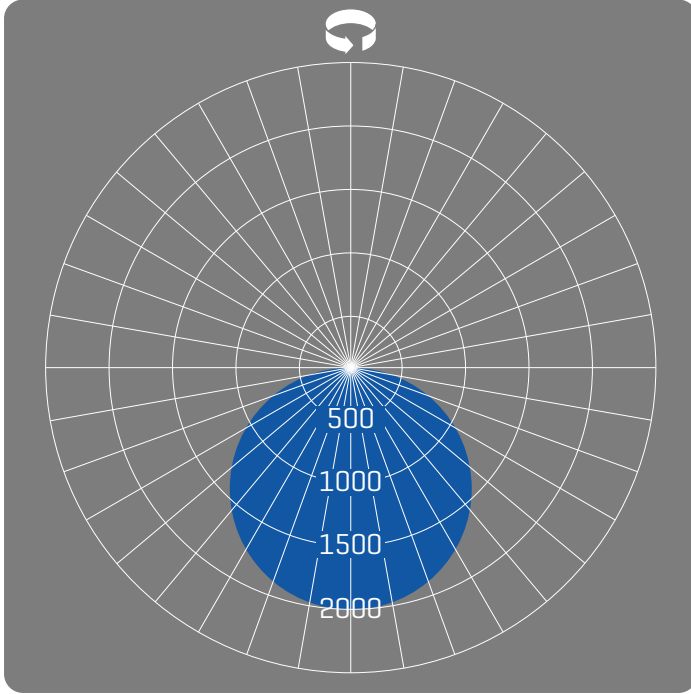
120W



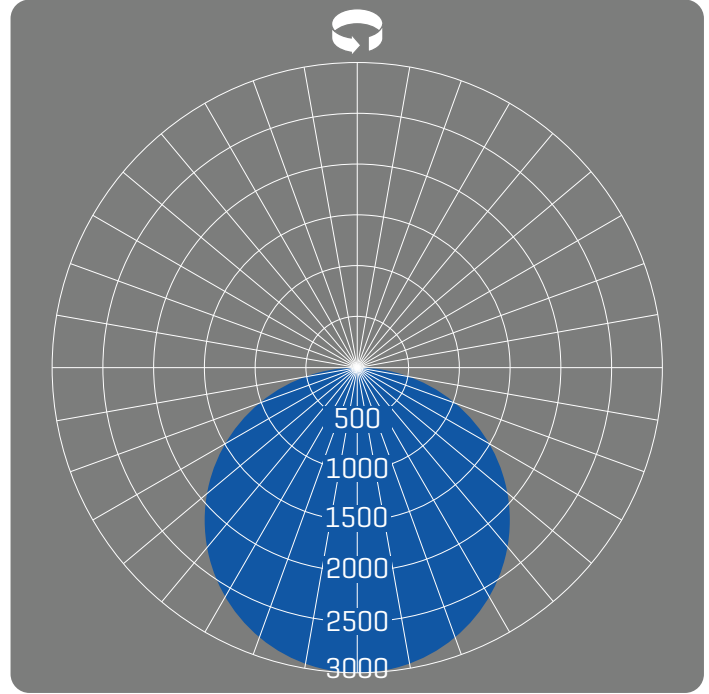
200W

- New Design gives higher lumens per watt with better light spread
- High performance coating for rust prevention with 7 Year warranty
- Attract less insects than incandescent lighting less cleaning and maintenance!
- Can be switched on and off repeatedly, Ideal for use with Motion Sensors.
- No warm up time needed to produce full light.
- High performance chips and drivers with 7 Year Warranty

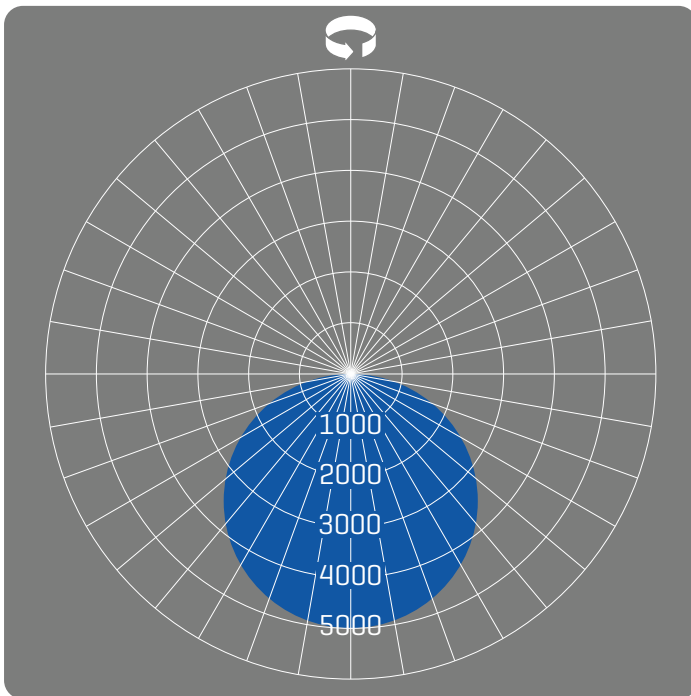
Photometric Diagrams:



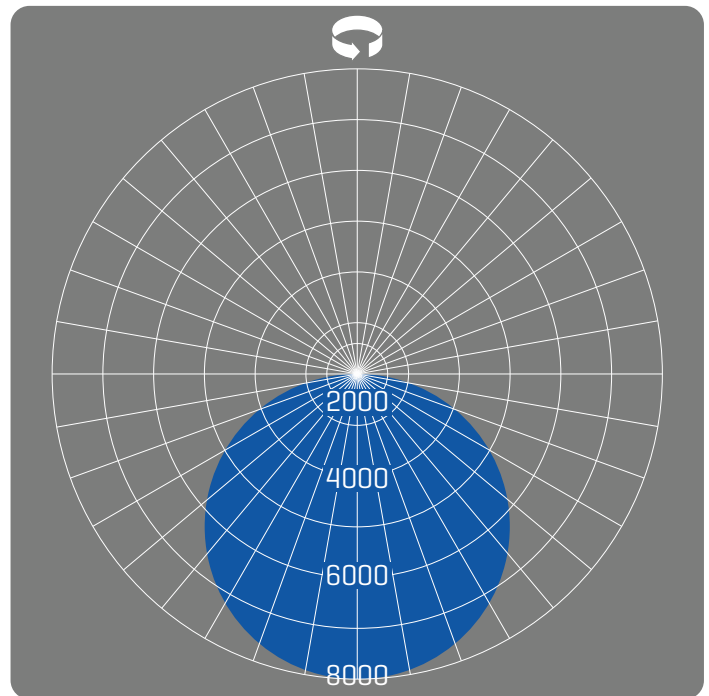
FLB - CW/50W



FLB - CW/72W



FLB - CW/120W



FLB - CW/200W