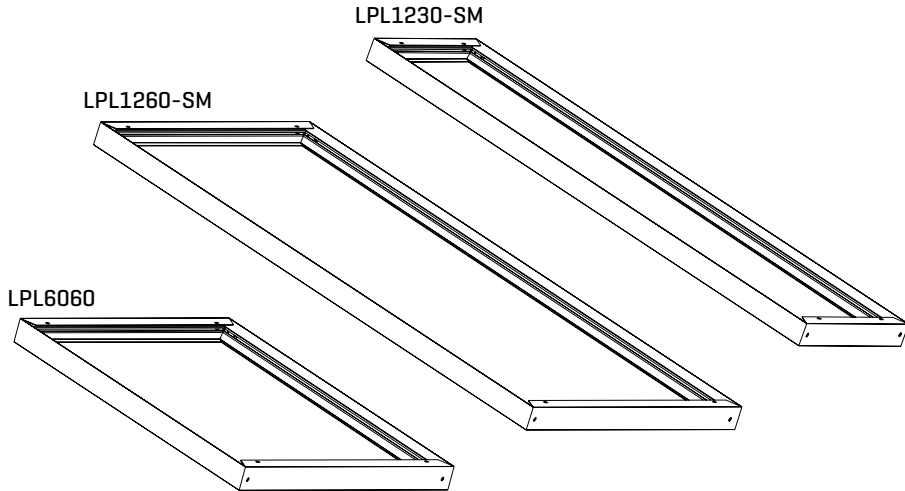


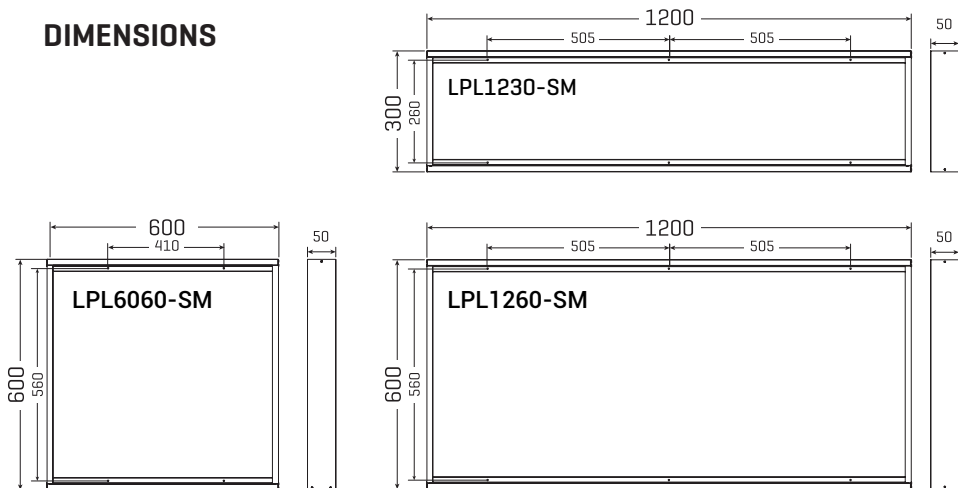
VOLTEX® INSTALLATION GUIDE

LED Panel Light Surface Mount Frame

LPL6060, LPL1230-SM, LPL1260-SM



DIMENSIONS



VOLTEX®

© Voltex Electrical 2020. All Rights Reserved.

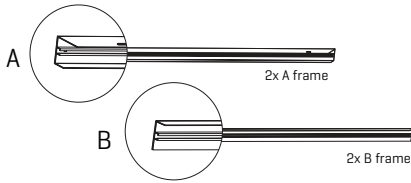
AU P: 1300 722 275
E: sales@voltexelectrical.com.au
www.voltexelectrical.com.au

NZ P: 0800 55 66 33
E: sales@voltexelectrical.co.nz
www.voltexelectrical.co.nz

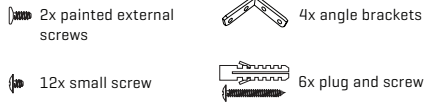
PL603032021-SL

INSTALLATION INSTRUCTION

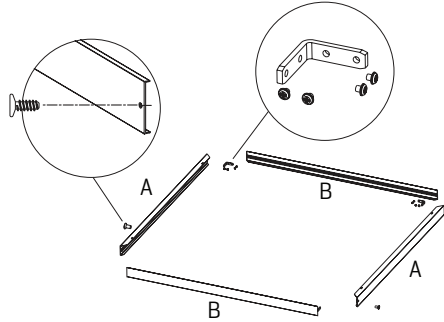
ITEMS INCLUDED:



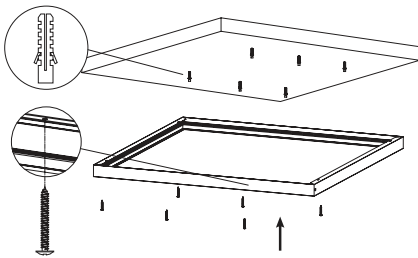
SCREWS AND BRACKETS



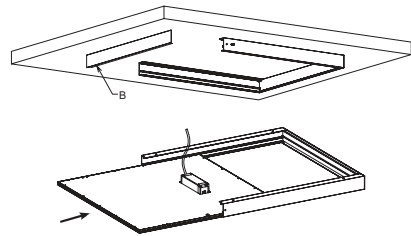
- 1 Assemble the 3 frames together with the angled brackets, and finish by slotting the final B frame into place and securing with 2x painted screws as shown



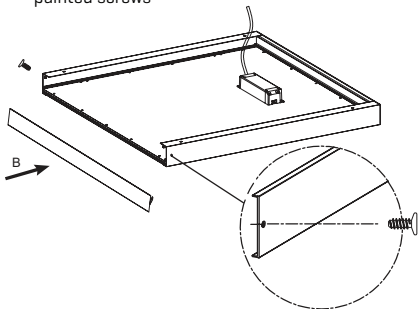
- 2 Knock the plastic anchor into ceiling, fix the surface mounted frame on the ceiling by screws.



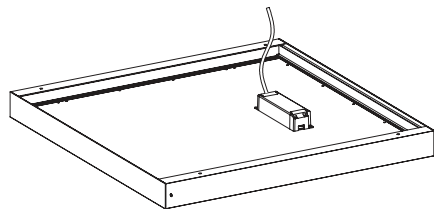
- 3 Unscrew side frame B and remove. Connect the panel light to power supply, then slide the panel light into the frame



- 4 Reassemble frame B and fasten again with 2x painted screws



- 5 Make sure the frame and panel light are firmly fixed, then turn on the power.



Warning: The thickness of LED panel light can not exceed 12mm, total thickness of LED panel light and driver can not exceed 48mm.