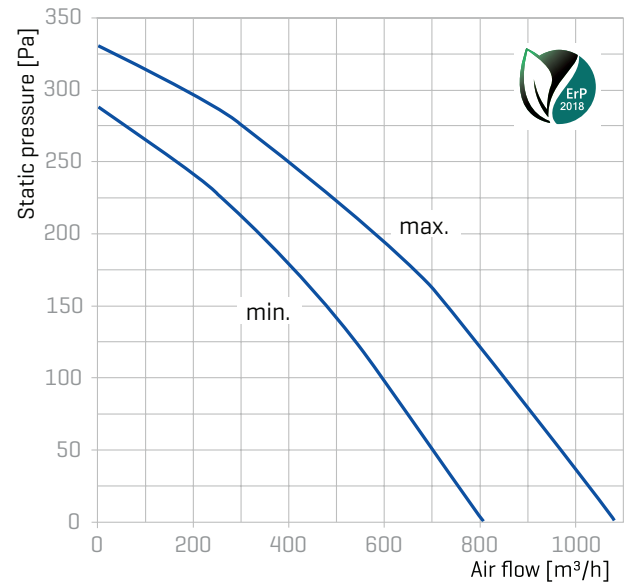




Technical Specifications:

Speed	Min	Max
Voltage [V]	240	240
Frequency [HZ]	50/60	50/60
Power [W]	76	108
Current [A]	0.34	0.48
Maximum air flow [m ³ /h[l/s]]	805 [224]	1080 [300]
RPM[min^{-1}]	1915	2380
Sound pressure level at 3m[dBA]	45	50
Max transported air temperature [°C]	+60	
IP rating	IPX4	

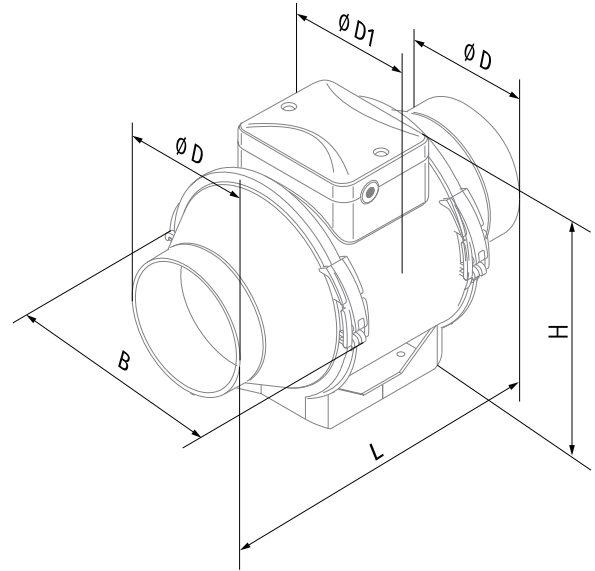
Performance Curves:



Sound power level, A-weighted	Total	Octave frequency bands [Hz]								LpA 3 m	LpA 1 m
		63	125	250	500	1000	2000	4000	8000		
Min speed											
LwA to inlet [dBA]	66	38	50	58	59	60	59	55	45	45	55
LwA to outlet [dBA]	64	40	50	54	58	59	57	51	44	43	53
LwA to env. [dBA]	60	27	42	49	54	55	54	46	34	39	49
Max speed											
LwA to inlet [dBA]	71	41	50	63	64	65	64	62	52	50	60
LwA to outlet [dBA]	70	43	52	61	66	64	63	58	51	50	60
LwA to env. [dBA]	65	34	43	54	60	60	60	53	41	45	55

Dimensions

Model	Ø D	Ø D1	B	H	L	Weight[kg]
MF100	96	164	167	190	246	1.45
MF150	148	187	220	251	289	3.18
MF200	199	209	239	261	295.5	3.8



Compliance:

AS/NZS 60335.2.80
AS/NZS 60335.1

