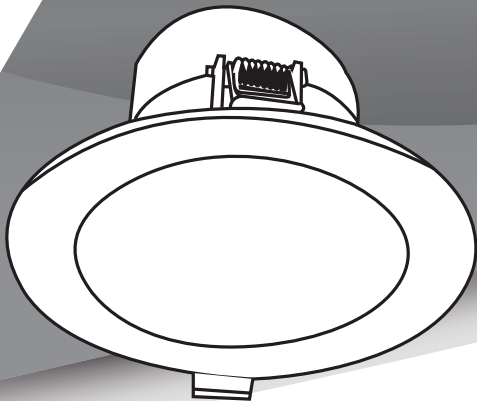


Installation Guide



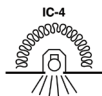
Monaco 9W LED Downlight

IDL9T90-W

IDL9T90-WW-W / IDL9T90-NW-W / IDL9T90- CW-W

CCT Changeable

Warm White / Natural White / Cool White



Description

The Voltex Monaco 9W recessed LED downlight is truly a 'fit & forget' recessed luminaire, with no annoying lamp failures, while being highly energy-efficient and cool running for reduced fire risk. It is a sealed unit which has no air gap into the ceiling cavity, preventing the loss of conditioned air. This recessed downlight is guaranteed against premature failure of both the LED Lamp and Control gear for a period of 7 years from date of purchase. Original proof of purchase is required in the event of any guarantee claims being lodged.

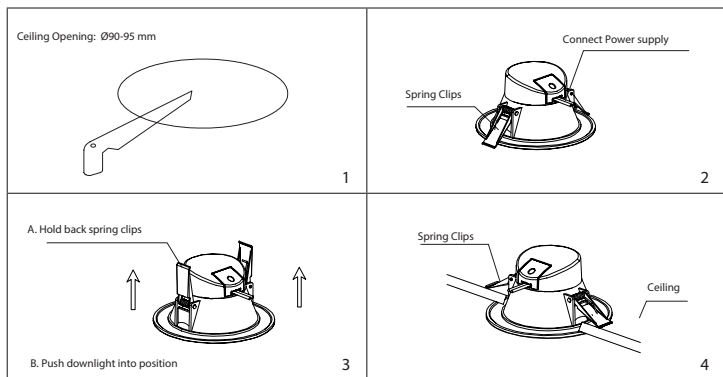
Specifications

Power	9W
Input Voltage	220-240VAC; 50Hz
Driver	Integrated - Dimmable (Trailing edge dimmer)
Class	IC-4 IC-F Abutted & Covered (New Zealand)
IP Rating	IP54 for light emitting area; IP40 for all other parts
Light Source	San'an™
Light Colour Temperature	Warm White (WW; 3000K) / Natural White (NW; 4000K) / Cool White (CW; 6000K)
Luminous Flux	908 Lumens (Warm White) 1002 Lumens (Natural White) 1008 Lumens (Cool White)
Ceiling Hole	90-95mm
Beam Angle	90°
Air Transfer Category	Closed
Clearance to Thermal Insulation	May abut the luminaire on the sides or cover the top (MCI & SCI = 0mm)
Clearance to Building Elements	May abut the luminaire on the sides or the top (HCB & SCB = 0mm)
Rated Lifespan	40,000 hours
Flange Colour	White
Connections	Integral Lamp Control Gear with Supply Plug & Cord
Standards complied with	AS/NZS 60598.2.2, AS/NZS IEC 61347.2.13 EN 55015

Installation

Installation is very straightforward.

1. Simply cut a 90-95mm diameter hole in the ceiling, insert cable into the ceiling cavity and connect to the power supply by either of the following methods:
 - a. Plug into a pre-wired power outlet inside the ceiling (the luminaire comes complete with a supply flexible cord and moulded 2-pin plug)
 - b. Hardwire into junction box N.B. All installations of power outlets and/or junction boxes are to be carried out by a licensed electrician.
2. For the CCT Changeable IDL9T90-W select the required light colour temperature using the colour selector switch - WW [Warm White], NW [Natural White] or CW [Cool White].
3. For New Zealand, ensure the 'IC-F Abutted and Covered label' is applied to the back cover of the luminaire.
4. Then simply fold the spring clips up, insert the luminaire into the cut-out and it will clip itself snug against the ceiling.
5. Insulation may abut and cover the luminaire.
6. This luminaire is designed for indoor use only.



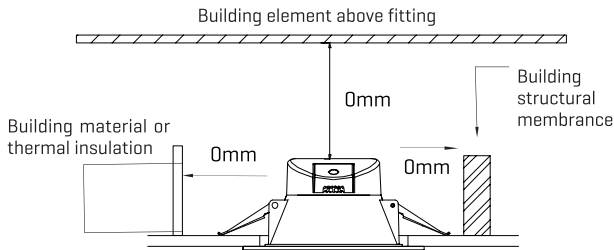
Warning

- There are no user replaceable components or parts incorporated in this luminaire.
- If the external flexible cable or cord of this luminaire is damaged, it shall be exclusively replaced by the manufacturer, its service agent or similarly qualified persons in order to avoid a hazard.
- The light source of this luminaire is not replaceable; when the light source reaches its end of life the whole luminaire shall be replaced.

Specific Requirements regarding Building Insulation

1. In the vicinity of the recessed luminaire, use an insulation product that:
 - a. Maintains its dimensions and structural integrity when exposed to a temperature of 90°C.
 - b. Withstands a 30 second needle flame test carried out in accordance with AS/NZS 60695.11.5 with the flame applied to all surfaces of the sample.
 - c. Has an ignition temperature of at least 200°C (with the ignition temperature determined using a test period of 15 minutes).
2. Only loose-fill insulation which complies with the above requirements is permitted to abut or cover this luminaire.

Diagram: Recommended Clearance from Building Elements



Voltex Electrical

Australia

www.voltexelectrical.com.au

P: 1300 722 275 E: sales@voltexelectrical.com.au

New Zealand

www.voltexelectrical.co.nz

P: 0800 55 66 33 E: sales@voltexelectrical.co.nz

VOLTEX®

ELECTRICAL ACCESSORIES

© Voltex Electrical 2015. All Rights Reserved.