

Description/ Technical Data:

| |
|---|
| Protection: IP68 weatherproof rating |
| Flammability: UL 94V-2 |
| Colour: Black |
| Complete with rubber gasket |
| Vibration resistant - ratchet action |
| Operating temperature - 40°C up to + 100°C |
| Applied to machines, control cabinets, instruments for cable installation |

Materials:

| |
|-----------------------------|
| Body: UL approved polyamide |
| Seal Insert: EPDM |

Installation:

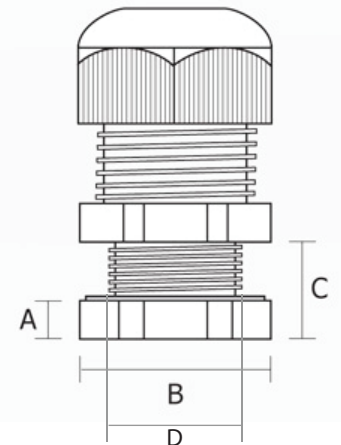
| |
|---|
| Easy and quick assembling with good strain relief |
|---|

Test Standards:

| |
|----------------|
| UL Listed |
| RoHS Compliant |

Dimensions:

| CODE | A [mm] | B [mm] | C [mm] | D [mm] | Cable Size |
|-----------|--------|--------|--------|--------|------------|
| FGL-33160 | 5 | 20 | 8 | 12 | 3 - 6.5 |
| GL-16 | 5 | 22 | 15 | 16 | 4 - 10 |
| GI-20 | 5 | 24 | 15 | 20 | 7 - 1 |
| GL-25 | 6 | 33 | 15 | 25 | 9 - 18 |
| GL-32 | 7.5 | 42 | 15 | 32 | 15 - 25 |
| GL-40 | 8 | 53 | 18 | 40 | 20 - 30 |
| GL-50 | 8 | 60 | 18 | 50 | 26 - 39 |
| GL-63 | 8 | 75 | 18 | 63 | 35 - 43 |





Description/ Technical Data:

| |
|---|
| Cable Holes: Various |
| Cable Range: Various |
| 15 Pack |
| Protection: IP68 weatherproof rating |
| Thread lock |
| Flammability: UL 94V-2 |
| UV resistant |
| Colour: Black |
| Complete with rubber gasket |
| Vibration resistant - ratchet action |
| Operating temperature: -40°C up to +100°C |

Materials

| |
|-----------------------------|
| Body: UL approved polyamide |
| Seal Insert: EPDM |

Installation:

Applied to machines, control cabinets, instruments for cable installation

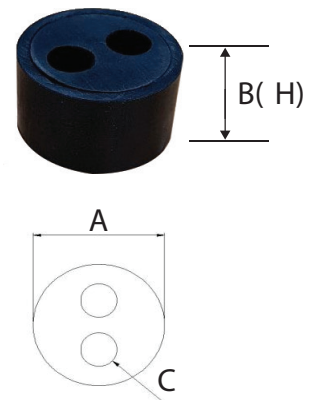
Features: Easy and quick assembling with good strain relief

Test Standards:

| |
|---|
| Meets all Clean Energy Council requirements |
| UL Listed |
| RoHS Compliant |

Dimensions:

| Item No. | Cable Range | Cable passages | A [mm] | B* [mm] | C Hole diameter [mm] |
|-----------|-------------|----------------|--------|---------|----------------------|
| GL-25-2/6 | 5.1~6.1 | 2 | 22.3 | 12 | 6 |
| GL-25-2/8 | 7.1~8.1 | 2 | 22.3 | 12 | 8 |
| GL-25-3/7 | 6.1~7.1 | 3 | 22.3 | 12 | 7 |
| GL-25-4/6 | 5.1~6.1 | 4 | 22.3 | 12 | 6 |
| GL-25-5/5 | 4.1~5.1 | 5 | 22.3 | 12 | 5 |



*B measurement is height of rubber insert