



OMS-180B - Black Version

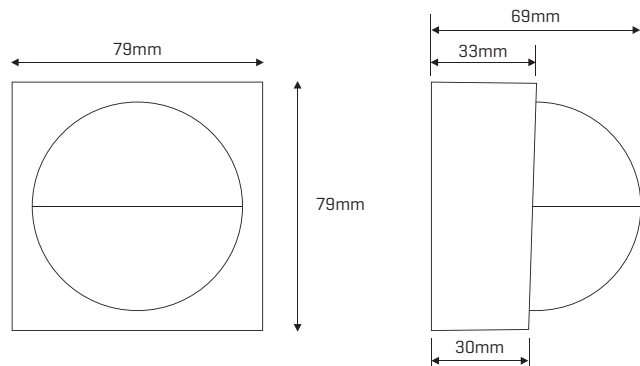


OMS-180W - White Version

Technical Specifications:

Operating Voltage	230 V AC
Frequency	50 Hz / 60 Hz
Standby Power	< 0.5 W
Protection Rating	IP 55
Operating Temperature	-25 °C to +45 °C
Lighting Level Adjustment	2 Lux to 200 Lux, plus light level disable
Auto OFF time adjustment	2 seconds to 20 seconds and 2 minutes to 30 minutes
Warm up time	40 Seconds
Installation Heights	2.5m to 4m
Detection Range [see diagram]	Across sensor: 12m maximum Towards Sensor: 5m maximum <i>Note: Detection range can vary, depending on the ambient temperature</i>
Detection Angle	180°
Maximum Load	LED: 400W Incandescent: 2300W

Dimensions:



Field of View:

