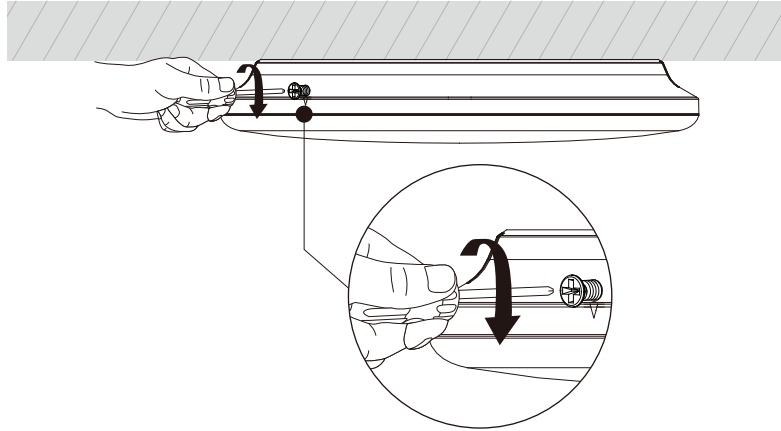
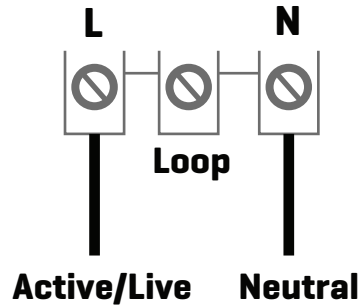


Locking the front of the fixture

To lock the front of the fixture so that it cannot be removed, close the fixture as described in the previous section and then tighten the screw on the side of the base.



Wiring



AU P: 1300 722 275
E: sales@voltexelectrical.com.au
www.voltexelectrical.com.au

NZ P: 0800 55 66 33
E: sales@voltexelectrical.co.nz
www.voltexelectrical.co.nz



PI620221024-RG

VOLTEX®

Installation Guide

Voltex LED Oyster Ceiling Light

CL12T275 12W, CL18T275 18W,
CL25T350 25W



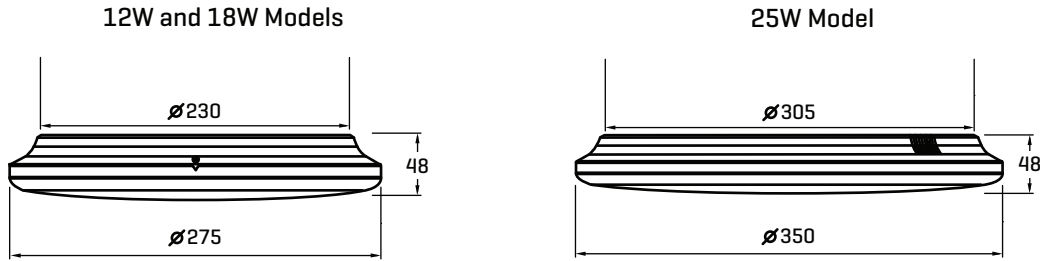
Specifications

Rated Wattages	CL12T275 12W CL18T275 18W CL25T350 25W
Input Voltage	220-240Vac
Efficiency	80%
CCT	3CCT: 3000K, 4000K and 5700K
CCT Selection	DIP switch
CRI	Ra>80
Beam Angle	120°
LED Driver	Compatible with most trailing edge dimmers Voltex DM300S or DM250X dimmers recommended
Electrical Class	Class II
IP Rating	IP54
IK Rating	IK08
Diffuser material	Polycarbonate
Body material	Polycarbonate
Lifetime	50,000 hours
Operating Temp	-20°C - 45°C
Storage Temp	-20°C - 65°C
Lumen output	CL12T275: 3000K 1050lm, 4000K 1300lm, 5700K 1200lm CL18T275: 3000K 1620lm, 4000K 1900lm, 5700K 1800lm CL25T350: 3000K 2250lm, 4000K 2650lm, 5700K 2400lm
Double insulated	Yes
Standards complied with	AS/NZS 60598.2.2.(incl. NZ Amendment A) AS/NZS IEC 61347.2.13 AS/NZS CISPR 15

VOLTEX®

© Voltex Electrical 2022. All Rights Reserved.

Dimensions

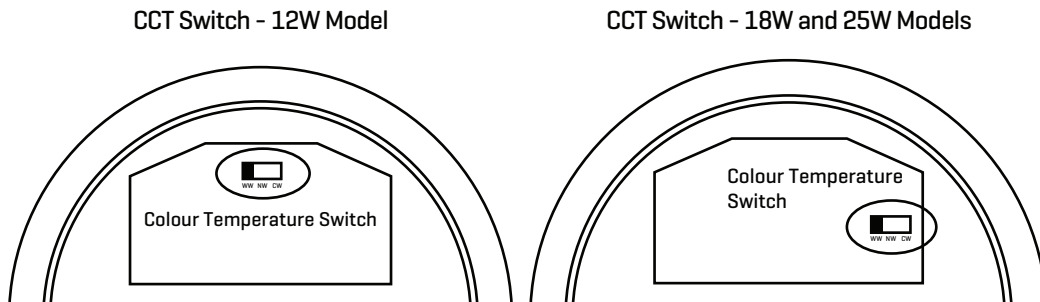


Note

- There are no user replaceable components or parts incorporated in this luminaire
- The light source of this luminaire is not replaceable. When the light source reaches its end of life the whole luminaire shall be replaced
- This luminaire is designed for indoor use only
- Only to be installed outside of arms reach
- Use only with the integrated Voltex dimmable LED driver supplied with the product
- Compatible with most trailing edge dimmers. Voltex DM300S or DM250X dimmers are recommended

Selecting the Colour Temperature (CCT)

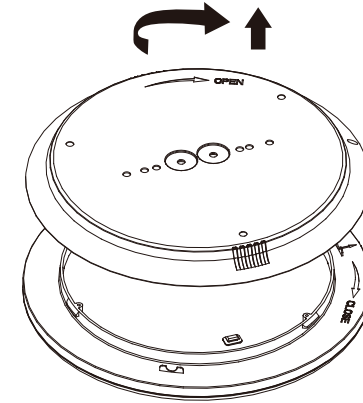
Colour temperatures of 3000K, 4000K or 5700K can be selected using the three position switch located inside the fixture



This product should only be installed by licenced electricians with all the requirements of AS/NZS 3000 [current edition] and other relevant Standards and Regulations

Opening the fixture

The fixture is opened by turning the base in the direction marked on the rear of the fixture base.



Closing the fixture

The fixture is closed by aligning the arrow inside the base of the fixture with the arrow head on the front part of the fixture and turning the fixture anti-clockwise until the arrow head aligns with the lock screw hole

