

Specifications:

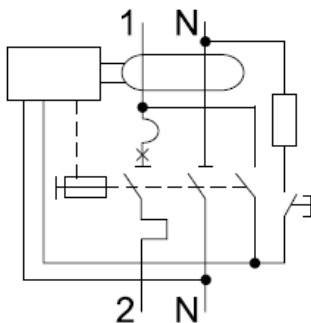
Rated current :	6A, 10A, 16A, 20A, 25A, 32A
Rated voltage:	230/240 VAC
Rated frequency:	50/60 Hz
Number of poles:	1P+N (Switches A+N)
Module size:	18mm
Curve type:	C-Type
Breaking capacity:	Icn: 4500A, 6000A IΔm: 500A
Rated residual operating current:	30mA
Optimum operating temperature:	-5°C to 40°C
Terminal Tightening torque:	1.2 N/m
Terminal Capacity [top]:	16 mm ²
Terminal Capacity [bottom]:	16 mm ²
Electro-mechanical endurance:	4000
Mounting:	35mm Din Rail
Compatible Busbar:	BUS-AV6-8M, BUS-AV6-16M

Top and bottom, line and load compatible for easy fast 'either-way-up' installations.

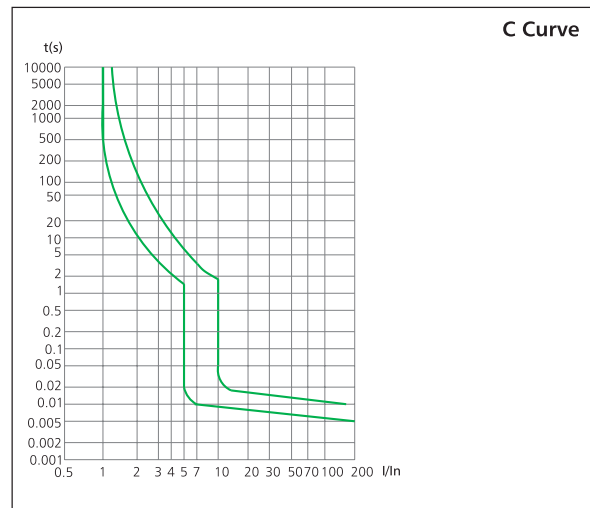
Compliance

AS/NZS 61009.1:2015

Wiring Diagram



The tripping characteristic curves



Dimensions: [mm]

