

Switchboards

Transparent Door Flush Mounting

Voltex Flush Mounting Switchboards are made with high quality fire resistant plastic. All Voltex switchboards can incorporate the complete Voltex line of circuit breakers & RCBOs depending on your job requirements.

Flush Mounting, 12 way

Code: SBF-12



Dimensions:

Cover:
305mm[W] x 247mm[H] x 35mm[D]
Box:
255mm[W] x 191mm[H] x 77mm[D]

Flush Mounting, 18 way

Code: SBF-18



Dimensions:

Cover:
412mm[W] x 252[H] x 25mm[D]
Box:
362mm[W] x 202mm[H] x 72mm[D]

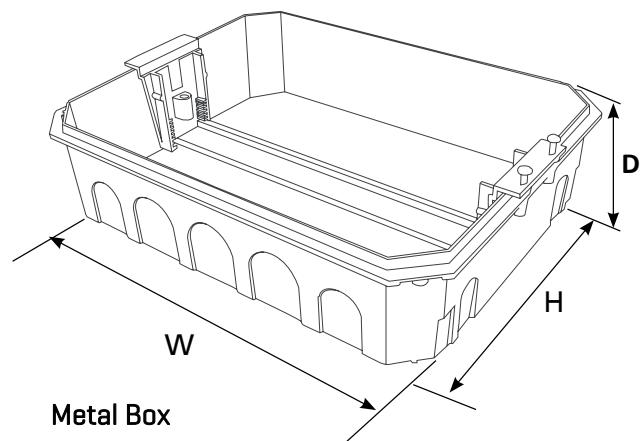
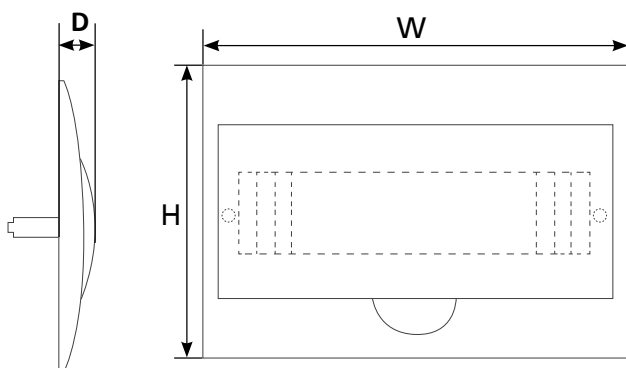
Flush Mounting, 24 way

Code: SBF-24



Dimensions:

Cover:
303mm[W] x 357mm[H] x 30mm[D]
Box:
253mm[W] x 311mm[H] x 67mm[D]



SS-020217