



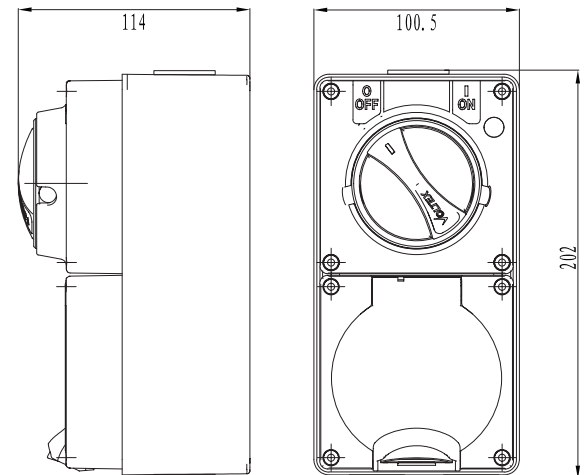
Specifications:

| | |
|-------------------------------------|--|
| Cover Material: | Polycarbonate |
| Protection type: | Without protection [No RCD] |
| IP rating: | IP66 |
| Optimum Operating temperature: | -25 to +50C |
| UV Resistant: | Yes |
| Chemical resistant: | Low - Not suitable for environments with chemicals/ oils |
| Cable entry in enclosure: | 25mm x 2 and 32mm x 1 |
| Max Terminal size for cable: | 25mm ² |
| Appropriate entry reducers included | |

Compliance:

| |
|--|
| AS 60529:2004/NZS IEC 60947.1:2015 Annex C : |
| AS/NZS 3121:2002 : |
| AS/NZS 3100:2009+A1-A4 : |

Dimensions:



| Reference | Volts | Amp | Pin No | Socket Conf. | M Rating | AC Rating |
|-----------|-------|-----|--------|--------------|----------|-----------|
| C66C320 | 250 | 20 | 3 | | 100 | AC22A |
| C66C332 | 250 | 32 | 3 | | 100 | AC22A |
| C66C410 | 500 | 10 | 4 | | 100 | AC22A |
| C66C420 | 500 | 20 | 4 | | 100 | AC22A |
| C66C432 | 500 | 32 | 4 | | 100 | AC22A |
| C66C440 | 500 | 40 | 4 | | 200 | AC22A |
| C66C450 | 500 | 50 | 4 | | 200 | AC22A |
| C66C510 | 500 | 10 | 5 | | 100 | AC22A |
| C66C520 | 500 | 20 | 5 | | 100 | AC22A |
| C66C532 | 500 | 32 | 5 | | 100 | AC22A |
| C66C540 | 500 | 40 | 5 | | 200 | AC22A |
| C66C550 | 500 | 50 | 5 | | 200 | AC22A |