

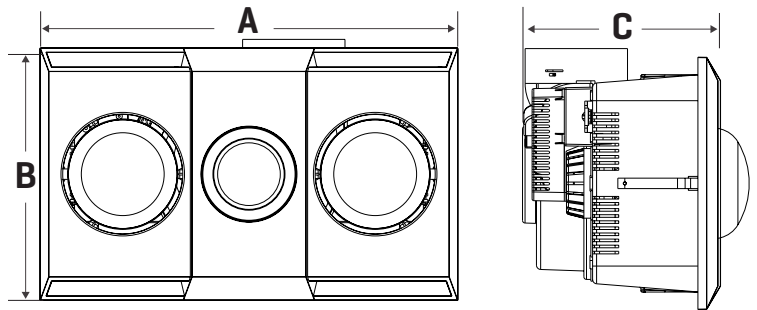


Technical Specifications:

| | |
|-------------------------------|---|
| Supply: | 220-240V 50Hz |
| Watts: | 610W |
| Max Airflow: | 359.66m ³ /hr [99.91L/sec] |
| Required Ceiling Depth: | 220mm |
| Cut-out Dimension: | 430mm x 250mm |
| Light: | Tricolour LED 13W |
| Light Colour: [Switchable] | Warm White [3000K] Natural White [4200K] Cool White [6500K] |
| Lumen Output: | 950lm - 1000lm |
| IP Rating: | IPX2 |
| Heat Lamps: | 2x 275W |
| Ducting size: | 120mm |

Dimensions

| Model | A (mm) | B (mm) | C (mm) | Air flow [m ³ /h] |
|---------|--------|--------|--------|------------------------------|
| VBHE-2L | 480 | 290 | 200 | 359.66 |



Compliance:

AS/NZS 60335.2.80
AS/NZS 60335.1 Inc A1-4
AS/NZS 60598.2.1 +A1 with AS/NZS 60598.1 +A1
AS/NZS 61347.2.13 with AS/NZS 61347.1 +A1
AS/NZS 60335.2.30 +A1 +A2 with AS/NZS 60335.1 +A1 +A2 +A3 +A4

