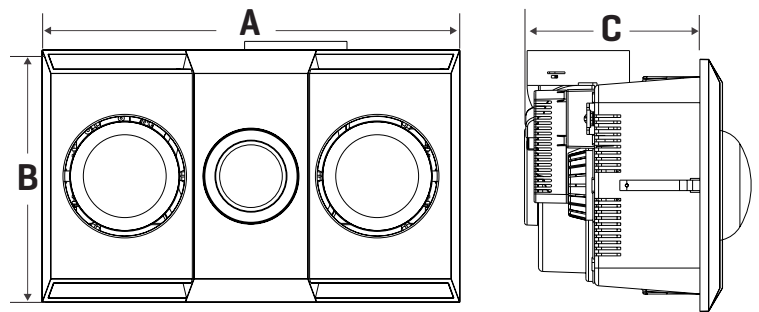


Technical Specifications:

Supply:	220-240V 50Hz
Watts:	610W
Max Airflow:	460m ³ /hr [128L/sec]
Required Ceiling Depth:	220mm
Cut-out Dimension:	430mm x 250mm
Light:	Tricolour LED 13W
Light Colour: [Switchable]	Warm White [3000K] Natural White [4200K] Cool White [6500K]
Lumen Output:	950lm - 1000lm
IP Rating:	IPX2
Heat Lamps:	2x 275W
Ducting size:	125mm

Dimensions

Model	A (mm)	B (mm)	C (mm)	Air flow [m ³ /h]
VBHE-2L	480	290	200	460



Compliance:

AS/NZS 60335.2.80
 AS/NZS 60335.1 Inc A1-4
 AS/NZS 60598.2.1 +A1 with AS/NZS 60598.1 +A1
 AS/NZS 61347.2.13 with AS/NZS 61347.1 +A1
 AS/NZS 60335.2.30 +A1 +A2 with AS/NZS 60335.1 +A1 +A2 +A3 +A4

