



VDREF-LED



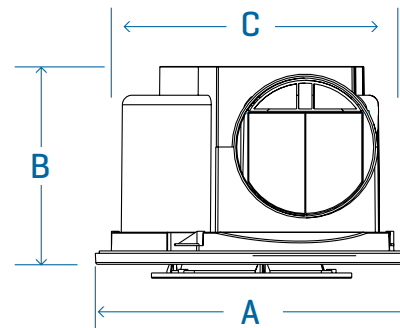
VDREF-LED

Technical Specifications:

Supply	220-240V 50Hz
Watts	5W
Airflow [ISO 5801]	325m³/hr [90.28L/sec]
Required Ceiling Depth	300mm
Cut-out Dimension	Ø 300mm
Light	Tricolour LED 10W
Light Colour [Switchable]	3000k 4000k 5700k
Lumen Output	1000
IP Rating	IPX4

Dimensions

Model	A[mm]	B[mm]	C[mm]	Air flow [m³/h] ISO 5801
VDREF-LED	326	203	300	325



Compliance:

AS/NZS 60335.2.80
 AS/NZS 60335.1 Inc A1-4
 AS/NZS 60598.2.1 +A1 with AS/NZS 60598.1 +A1
 AS/NZS 61347.2.13 with AS/NZS 61347.1 +A1

