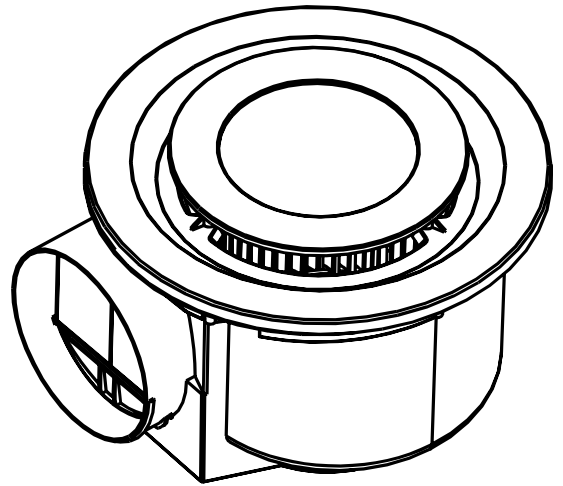


VOLTEX®

INSTALLATION GUIDE

Voltex Round Ceiling Exhaust Fan with 10W Tricolour LED Light Flush Mounted

VREF-LED
220-240Va.c. 50Hz 90W Climatic Class T IPX2



IMPORTANT INSTALLATION, USER & WARRANTY INSTRUCTIONS

Please read these instructions carefully before installing and using the appliance. Keep the instructions handy for future reference.

IMPORTANT: This appliance does not come with a cord or a plug. This appliance must be installed in accordance with national and local council building regulations, and the Australian and New Zealand wiring rules AS/NZS 3000 latest edition thereof.

ALL ELECTRICAL WORK MUST BE CARRIED OUT BY A LICENSED ELECTRICAL CONTRACTOR OR ELECTRICIAN.

CAUTION: The appliance should not be installed directly above a bath, shower or fixed water container. The appliance must not be installed in a position where water may splash onto the appliance.

PLEASE READ ALL INSTRUCTIONS CAREFULLY BEFORE USING THE APPLIANCE.

GENERAL SAFETY WARNINGS

To reduce the risk of fire, electrical shock or injury to persons or property:

1. Use this appliance only as described in this manual. Any other use not recommended by Voltex Electrical may cause fire, electric shock, or injury to persons and void the warranty. If you have questions, please contact Voltex Electrical first.
2. Always operate the appliance from a power source of the same rated voltage, frequency and power input as indicated on the appliance identification plate.
3. This appliance is intended for household use and similar applications only. It is not suitable for use in an environment heavily laden with dust.
4. This appliance is not intended for use by persons (including children with reduced physical, sensory or mental capabilities, or lack of experience and knowledge, unless they have been given supervision or instruction concerning use of the appliance by a person responsible for their safety. Children should be supervised to ensure that they do not play with the appliance.
5. Do not operate any appliance that malfunctions, or is dropped or appears damaged in any way.
6. There are no user-serviceable parts inside the appliance. Contact your local electrician if servicing or maintenance is required.
7. This appliance is designed for indoor use only.

8. Do not allow any foreign object to enter through the fascia opening or the rear of the appliance as this may damage the appliance and/or the user.
9. The appliance shall, under no circumstances, be covered with insulating material or similar material.
10. Make sure that the power is OFF before installation.
11. When cutting into the mounting surface, do not damage electrical wiring and other hidden utilities.
12. The appliance must be properly connected to the protective earthing conductor in the installation wiring of the installation.
13. Precautions must be taken to avoid the back-flow of gases into the room from the open flue of gas or other fuel-burning appliances.
14. FOR SAFE USE OF THIS APPLIANCE, AFTER INSTALLATION, DISCONNECTION OF THE APPLIANCE FROM THE SUPPLY SHALL BE POSSIBLE. THIS MAY BE ACHIEVED BY HAVING THE PLUG ACCESSIBLE OR MEANS FOR ALL POLE DISCONNECTION MUST BE INCORPORATED IN THE FIXED WIRING IN ACCORDANCE WITH THE WIRING RULES.

IMPORTANT CONSIDERATIONS BEFORE INSTALLING

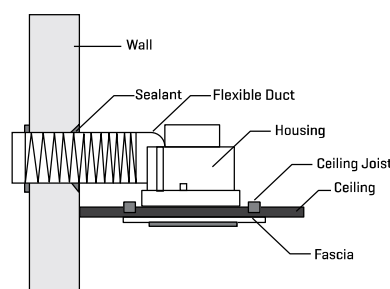
A few minutes planning can make a big difference to the installation time and to your satisfaction with the function of the appliance.

- 1) This product is rated IPX2. It should not be installed directly above a shower or a bath where it could come into contact with water.
- 2) For the exhaust fan to work efficiently, replacement air of a volume equivalent to what is being extracted must be able to enter the room. In general, this air would be drawn under the door, or through a slightly open window. If the room is airtight, the fan will function poorly.
- 3) This appliance is designed for installation in flat ceilings ONLY. Do not mount it on a sloping ceiling or a vertical wall.
- 4) Before commencing any cutting, check that there are no obstructions such as ceiling joists and that there is sufficient height clearance for the housing and routing of the duct. Check that the electrical wiring can be routed from the wall switches to the mounting location.
- 5) Do not install above or adjacent to a cooking appliance.

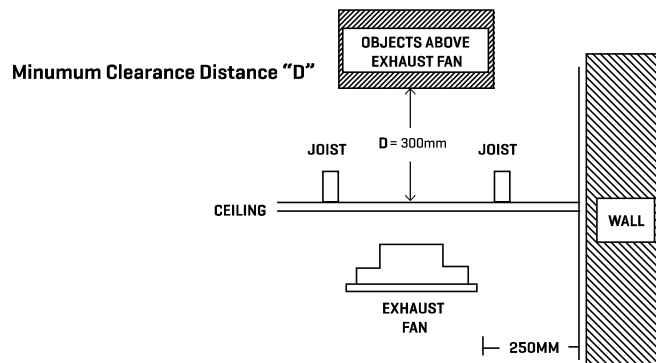
INSTALLATION

Remove all packaging from the appliance before commencing installation. Ensure the circuit has been isolated from the mains supply BEFORE commencing work.

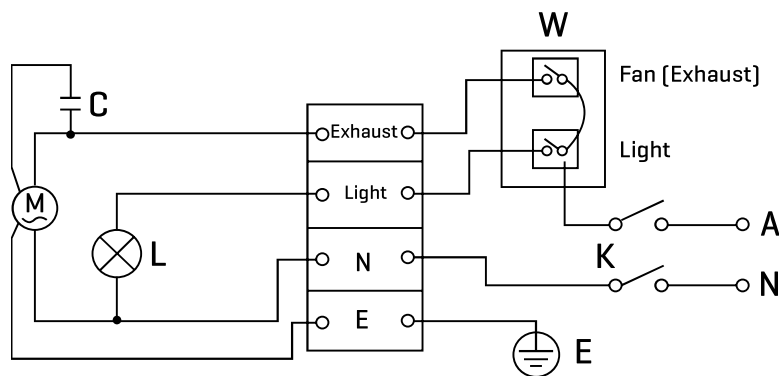
- 1) Locate in accordance with the requirements of the wiring rules relating to damp situations. Local council regulations concerning the discharge of air must also be fulfilled.
- 2) For installation where external venting is required or is your choice, locate a suitable location in either the roof, under the eave or in an exterior side wall to vent out the exhausted air and cut out the hole. Put one end of a Ø150mm flexible duct into the vent hole and seal space around the hole using a suitable sealant and cowl where necessary. NOTE: Make sure the ducting will reach from the external vent to the centre of installation of the exhaust fan.



- 3) Choose a suitable mounting location in the ceiling. Centre of room is ideal. If not, at least 250mm from a wall. The fan is intended to be mounted at high level and must be installed so that the blades are more than 2.1m above the floor.
- 4) CAUTION: Ensure that the intended hole will have suitable room to locate the unit and that it will not interfere with joists or the ceiling structure. Joists, beams and rafters shall not be cut or notched to install the appliance.
- 5) There must be adequate clearances. Make sure a minimum of 250mm is maintained between the appliance and any wall. There should be a minimum of 300 mm height clearance in the ceiling [including any objects above the housing]. A minimum of 30mm clearance is required around the hole for the fan, the vertical sides of the appliance and any adjoining parts of the roof structure, such as joists or insulation batts.



- 6) Use the template card provided as a hole cutting template to mark out the intended hole [Ø300mm] for mounting the appliance [it may be safer to mark the position from above the ceiling where obstructions are clearly visible, rather than from inside the room].
- 7) Carefully cut around the line. We recommend using the Voltex adjustable hole cutter.
- 8) Remove the fascia of the exhaust fan by releasing the two fascia springs, and disconnecting the LED plug by pulling apart.
- 9) In compliance with AS/NZS wiring rules, wire the unit as shown in the figure below:

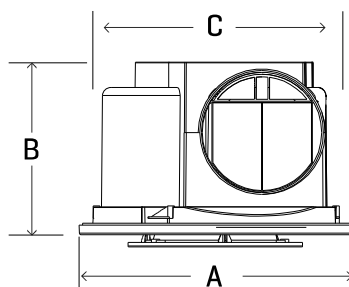


M: Motor C: Capacitor W: Wall switch[s]
 K: All-pole disconnection switch L: LED Driver & Light

- 10) Turn all mounting clips toward the centre of the exhaust fan.
- 11) Insert the fan into the hole. Using a screwdriver, tighten the screws of the mounting clips in a clockwise direction to lock the clips and exhaust fan in place to the ceiling.
- 12) Connect the ducting, keeping the ducting as straight as possible to maximise the performance of the fan. If necessary seal and secure the join with duct tape.
- 13) Reconnect the LED plug, and select the desired colour using the CCT switch on the back of the light panel.
- 14) Replace the fascia back on to the exhaust fan body using the fascia springs.
- 15) Your installation is now complete.

Dimensions

Model	A (mm)	B (mm)	C (mm)	Air flow (m ³ /h)
VREF-LED	326mm	198	300	366*



* Measured according to ISO 5801 international testing standard.

CARE INSTRUCTIONS

Regular cleaning of the fan is recommended. To clean the appliance:

- 1) **WARNING:** Ensure the appliance is switched off from the mains power supply first (switch off using the all-pole switch installed in the fixed wiring).
- 2) Remove the fascia from the body and clean using a damp cloth with water and a mild detergent.
- 3) The inner housing and fan blade may be cleaned with a dry cloth or with a vacuum cleaner with a suitable brush attachment.

CAUTION: To prevent damage to the appliance do not use alkaline cleaning agents or solvents when cleaning.

WARRANTY & SERVICE

Voltex warrants its ceiling exhaust fans against defective workmanship and faulty materials for 3 years from the original date of purchase. Please retain proof of purchase and certificate of electrical compliance.

Contact Voltex Electrical on 1300 722 275 [Australia] or 0800 55 66 33 [New Zealand] for any warranty claims.

Voltex Electrical

Australia

www.voltexelectrical.com.au

P: 1300 722 275 E: sales@voltexelectrical.com.au

New Zealand

www.voltexelectrical.co.nz

P: 0800 55 66 33 E: sales@voltexelectrical.co.nz

VOLTEX®

© Voltex Electrical 2022. All Rights Reserved.