

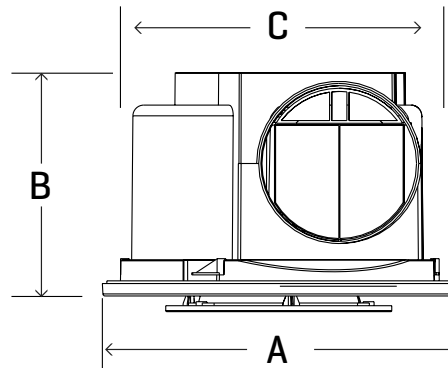


Technical Specifications:

Supply:	220-240V 50Hz
Watts:	90W
Airflow [ISO 5801]:	366m ³ /hr [102L/sec]
Required Ceiling Depth:	300mm
Cut-out Dimension:	Ø 300mm
Light:	Tricolour LED 10W
Light Colour:	2700K
[Switchable]	3600K 5600K
Lumen Output:	680lm to 730lm
IP Rating:	IPX2

Dimensions

Model	A [mm]	B [mm]	C [mm]	Air flow [m ³ /h] ISO 5801
VREF-LED	326mm	198	300	366



Compliance:

AS/NZS 60335.2.80
AS/NZS 60335.1 Inc A1-4
AS/NZS 60598.2.1 +A1 with AS/NZS 60598.1 +A1
AS/NZS 61347.2.13 with AS/NZS 61347.1 +A1

