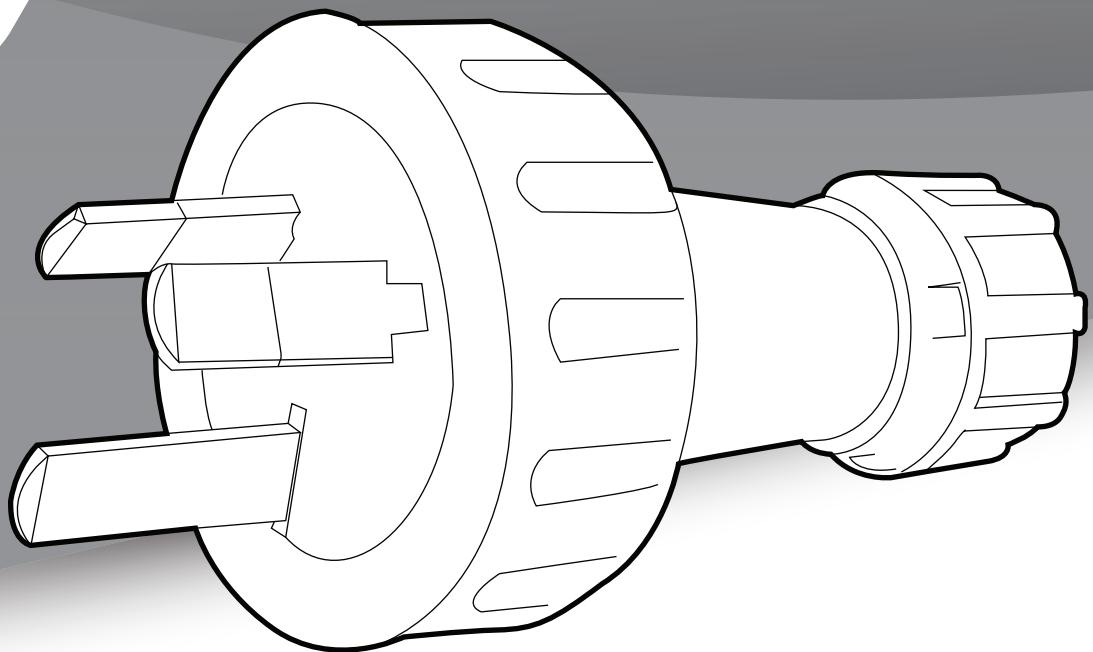


VOLTEX[®]

Installation Guide



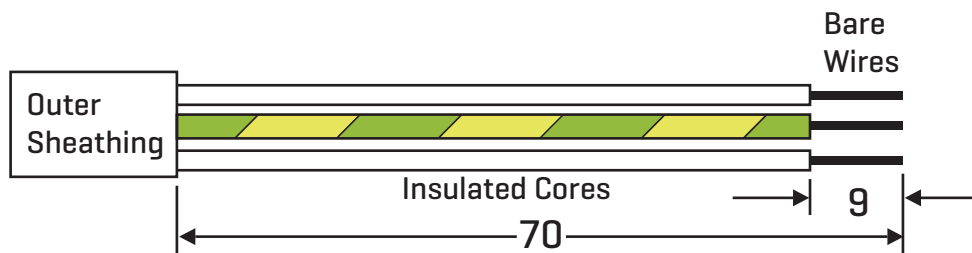
Fully certified to all
relevant Australian standards

10A/ 15A
3 Pin Plug Top

Stripping Dimensions

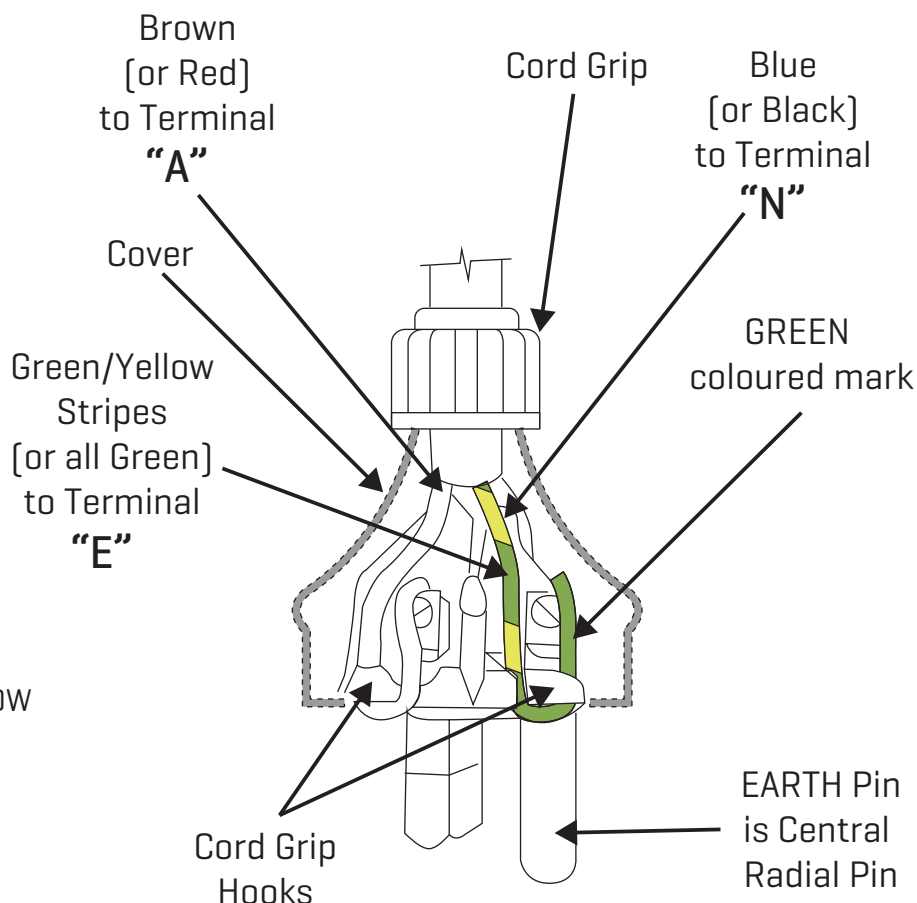
[Actual Size in mm]

Suitable for 1mm² and 1.5mm² cable



Wiring Instructions

1. Slip cord grip nut [small end first] and cover over flexible cord.
2. Connect EARTH wire with GREEN/YELLOW stripe [or all GREEN] to EARTH terminal marked E and with GREEN indication.
3. Connect BROWN [or RED] wire to Active terminal marked A.
4. Connect BLUE [or BLACK] wire to Neutral terminal marked N.
5. Ensure all wires are securely looped under the cord grip hooks.
6. Double check EARTH wire is connected to EARTH terminal.
7. Fit cover and tighten cord grip nut.



Safety Precautions

Ensure EARTH wire with GREEN/YELLOW stripes [or all GREEN] is connected to EARTH terminal marked "E" and with GREEN coloured mark.

Voltex Electrical

Australia

www.voltexelectrical.com.au

P: 1300 722 275 E: sales@voltexelectrical.com.au

New Zealand

www.voltexelectrical.co.nz

P: 0800 55 66 33 E: sales@voltexelectrical.co.nz

VOLTEX[®]

© Voltex Electrical 2017. All Rights Reserved.