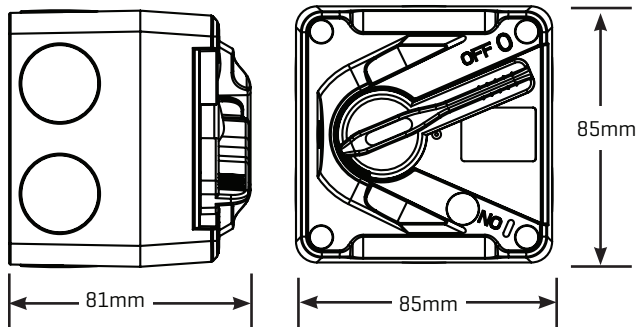




## Description

Weather-resistant switch wide range of applications, suitable for outdoor application.

## Dimensions



## Specifications

Current Rating	16A
Poles	Single
IP Rating	IP66
Power	250V AC 50Hz
Motor Rating	M80
Supplied with screws and accessories	
Switch height 8mm shorter. more wiring space	

