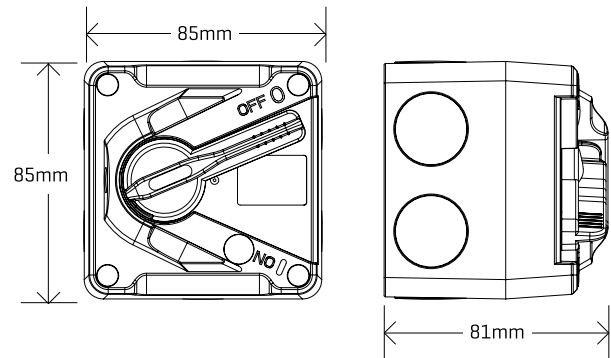


Technical Specifications:

Current Rating:	20A
Poles:	2
IP Rating:	IP66
Power:	250V AC 50Hz
Motor Rating:	M100
Dimensions:	85mm [W] x 85mm [H] x 81mm [D]

Dimensions:



Compliance

IEC 60998-2-5

Extras

Supplied with screws, screw covers & 1 x double screw cable connector [FCN-16227]

