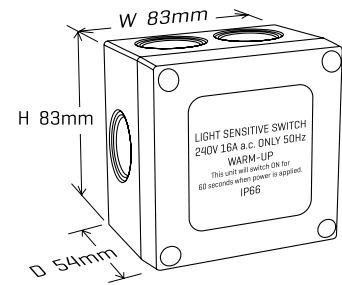


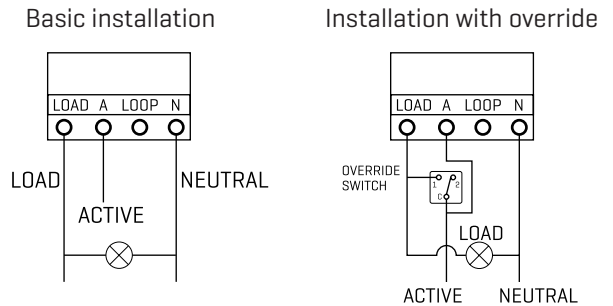
Technical Specifications:

Operating Voltage	220 - 240Vac 50Hz
Maximum Load Ratings	5A LED Lighting 16A incandescent and halogen 16A fluorescent
Operating Temperature	0 to +50°C
Ingress Protection	IP66
Material	UV stabilised Polycarbonate
Minimum Load	0 W
Switching levels	ON - 25 Lux, OFF - 50 Lux
Turn ON/OFF delay	1 minute
Timer Range	30 minutes to 15.5 hours
Timer Steps	30 minutes
Dimensions	W=83mm H=83mm D=54mm

Dimensions:



Wiring:



Operating Modes:

Mode	Description
1 Dusk-Dawn Mode [DEFAULT Mode]	Turns the load ON at dusk and OFF at dawn. The product is supplied set to this mode
2 Delay Timer mode	Turns the load ON at dusk and runs for a pre-set length of time every night The ON time can be set in 30 minutes increments, from 30 minutes to 15.5 hours
3 Real Time Mode	Turns the load ON at dusk and OFF at the same set time of night, every night
4 ECO mode	Turns the load ON at dusk, OFF during the middle of the night, and back ON again until dawn

Compliance

CISPR15, AS/NZS 61347.2.11

