



WS1-16V2

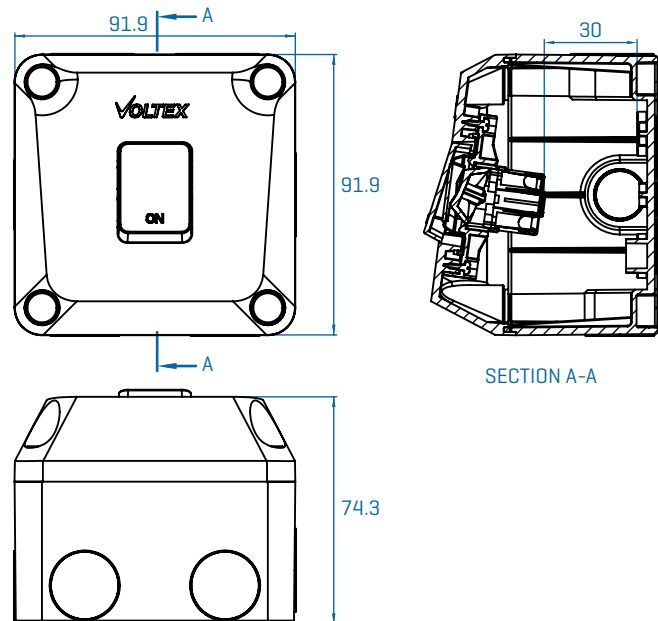


WS2-16V2

Technical Specifications:

Current Rating	16AX
Poles	Single
IP Rating	IP65
Power	250V AC 50Hz
Switching	1-way / 2-way
Motor Rating	M80
Terminals	Accommodates 4x1.5 ² mm or 2x2.5 ² mm cables.
Terminal Bore	ø4.1mm
Depth behind switch	30mm to back of box

Dimensions:



Compliance:

AS3133:2020
AS/NZS 3100:2022

